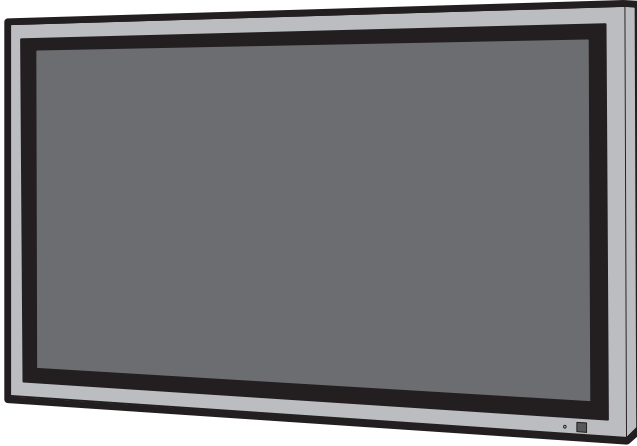


FILE NO.

SERVICE MANUAL PLASMA MONITOR

Model No. PDP-42WV1
 PDP-42WV1S
 (EUROPE, ASIA)
 PDP42WV1A
 PDP-42WV1AS
 (U.S.A.)



ORIGINAL VERSION

→	Chassis No. PDP-42WV1-00 (PDP-42WV1)
→	Chassis No. PDP-42WV1S-00 (PDP-42WV1S)
→	Chassis No. J3T-42WV1A00 (PDP-42WV1A)
→	Chassis No. J3T-42WV1AS00 (PDP-42WV1AS)

NOTE: Match the Chassis No. on the unit's back cover with the Chassis No. in the Service Manual.

If the Original Version Service Manual Chassis No. does not match the unit's, additional Service Literature is required. You must refer to "Notices" to the Original Service Manual prior to servicing the unit.

CONTENTS

	Pages
SAFETY INSTRUCTIONS	2
TECHNICAL SPECIFICATIONS	3
DIMENSIONS AND OPTIONS	3
BATTERY REPLACEMENT	4
MECHANICAL DISASSEMBLIES	5 - 8
ADJUSTMENT	9 - 16
CIRCUIT BLOCK DIAGRAM	17
POWER SUPPLY LINES	18
POWER FAIL CIRCUIT	19 - 21
TROUBLESHOOTING	22
CONTROL PORT FUNCTIONS	23 - 24
PIN DESCRIPTION OF DIODE, TRANSISTOR AND IC	25
PARTS LIST	26 - 43
PARTS DESCRIPTION AND READING IN SCHEMATIC DIAGRAM	44
SCHEMATIC DIAGRAMS	A-1 - A-15
PRINTED WIRING BOARD DIAGRAMS	A-16 - A-24

PRODUCT CODE

1 110 017 00 PDP-42WV1, J3TF
 1 110 023 00 PDP-42WV1A, J3TFA
 1 110 043 00 PDP-42WV1S, J3TG
 1 110 044 00 PDP-42WV1AS, J3TGA

REFERENCE NO. SM5110505-00

■ Safety Instructions

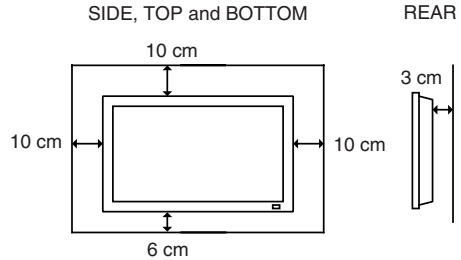


SAFETY PRECAUTIONS

WARNING : TO REDUCE THE RISK OF FIRE OR ELECTRIC SHOCK, DO NOT EXPOSE THIS APPLIANCE TO RAIN OR MOISTURE.

- This Plasma Monitor should be set in the way indicated. If not, it may result in a fire hazard.
- Take appropriate space on the top, sides and rear of the Plasma Monitor cabinet for allowing air circulation and cooling the Plasma Monitor. Minimum clearance must be maintained. If the Plasma Monitor is to be built into a compartment or similarly enclosed, the minimum distances must be maintained. Do not cover the ventilation slot on the Plasma Monitor. Heat build-up can reduce the life of your Plasma Monitor, and can also be dangerous.
- If the Plasma Monitor is not to be used for an extended time, unplug the Plasma Monitor from the power outlet.

READ AND KEEP THIS OWNER'S MANUAL FOR LATER USE.



CAUTION IN INSTALLING

- Handle the Plasma Monitor carefully when installing it and do not drop.
- Locate set away from heat, excessive dust, and direct sunlight.
- For correct installation and mounting it is strongly recommended to use a trained, authorized dealer. Failure to follow correct mounting procedures could result in damage to the equipment or injury to the installer.

NOTE :

When Plasma Monitor is not used for a long period of time, unlighting dots may be observed. This is caused by characteristic of the Plasma Monitor. If this occurs, turn the Plasma Monitor on and leave it on about 1 hour. These dots will gradually disappear.

	CAUTION RISK OF ELECTRIC SHOCK DO NOT OPEN	
CAUTION : TO REDUCE THE RISK OF ELECTRIC SHOCK, DO NOT REMOVE COVER (OR BACK). NO USER-SERVICEABLE PARTS INSIDE. REFER SERVICING TO QUALIFIED SERVICE PERSONNEL.		
THIS SYMBOL INDICATES THAT DANGEROUS VOLTAGE CONSTITUTING A RISK OF ELECTRIC SHOCK IS PRESENT WITHIN THIS UNIT.	THIS SYMBOL INDICATES THAT THERE ARE IMPORTANT OPERATING AND MAINTENANCE INSTRUCTIONS IN THE OWNER'S MANUAL WITH THIS UNIT.	

PRODUCT SAFETY NOTICE

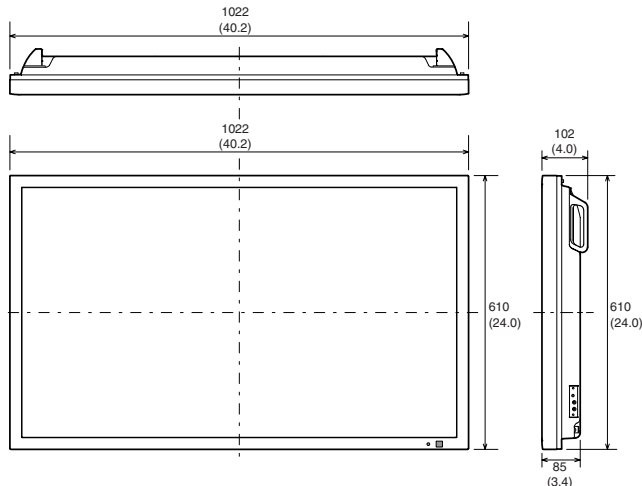
Product safety should be considered when a component replacement is made in any area of the monitor. Components indicated by mark in the parts list and the schematic diagram designate components in which safety can be of special significance. It is, therefore, particularly recommended that the replacement of these parts must be made by exactly the same parts.

■ Technical Specifications

Screen Diagonal	42V
Product name	Multimedia Plasma Monitor
Panel type	Plasma Display Panel (16 x 9)
Display area	920 mm (W) x 518 mm (H)
Resolution / Color	852 x 480 pixels
PC Interface	RGB
Capability	Up to SXGA
Plug & Play	VESA DDC2B
Power Management	VESA DPMS
Audio Amp	10W + 10W (8)
Terminals	
PC IN	RGB (D-SUB 15pin)
	AUDIO R / L (Stereo Mini jack)
WIRED RC IN / OUT	Mini Jack
EXT. SP OUT	R and L, 10W (8), Push type
POWER SUPPLY	AC 200 - 240V 50/60 Hz (PDP-42WV1/PDP-42WV1S)
	AC 100 - 120V 50/60 Hz (PDP-42WV1A/PDP-42WV1AS)
DIMENSION (W x H x D)	1022 x 610 x 85 mm (402.4" x 240.2" x 33.5") (not including handles)
WEIGHT (NET)	29.8 kg (65.7 lbs) (Plasma Monitor only)
Regulations	FCC CLASS-A, UL (PDP-42WV1A/PDP-42WV1S), CE (PDP-42WV1/PDP-42WV1S)
Environmental Considerations	
Operating Temperature	0°C ~ 40°C (32°F ~ 104°F)
Humidity	20 ~ 80%
Storage Temperature	-10°C ~ 50°C (14°F ~ 122°F)
Humidity	20 ~ 80 %
Accessories	Owner's Manual
	AC Power Cord
	Wired/Wireless Remote Control Transmitter and Batteries
	Remote Control Cable
	Ferrite Cores (x2)

■ Dimensions and Options

MEASUREMENT



Size in mm (inch)

OPTIONS

The products listed below are optionally supplied. When ordering these products, give name and Type No. to sales dealer.

Speaker unit	KA-SX-42V (R and L) (Color: Black) KA-SX-42VS (R and L) (Color: Silver)
Table top stand	KA-TD-42V
Tilt mount unit	KA-TI-42V
Wall mount unit	KA-WA-42V

Contact the sales dealer for other available options.

■ Battery Replacement

This Plasma Monitor is used a battery for Clock Function.

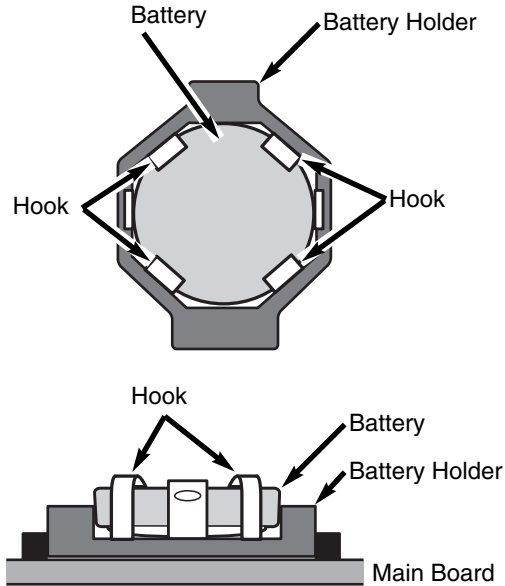
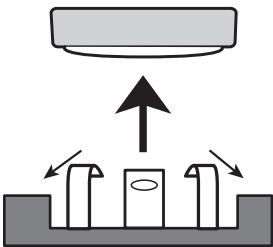
CAUTION
Danger of explosion if battery is incorrectly replaced.
Replace only with the same or equivalent type.

■ Battery Replacement

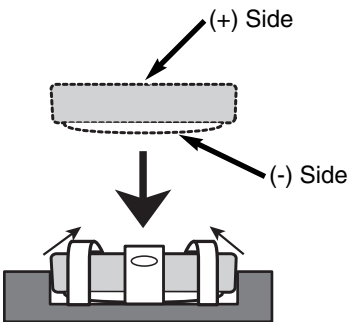
The battery is fixed to Main Board with Battery Holder.

Parts No.: 645 059 8302

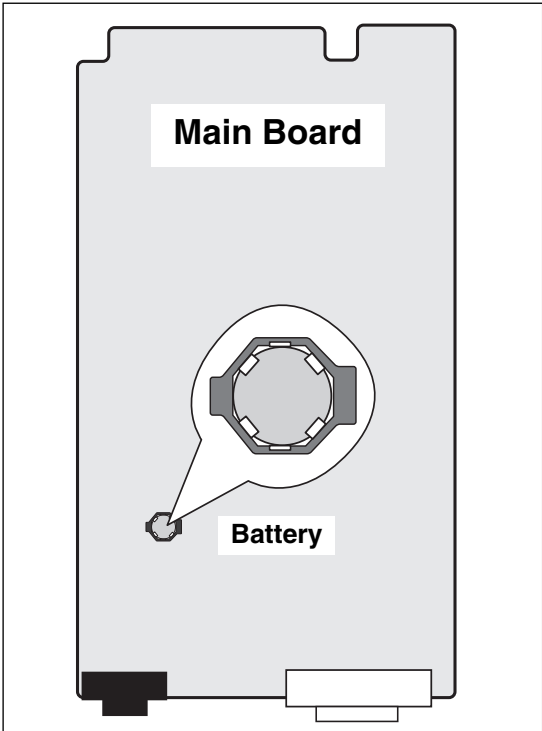
- (1) Remove the battery from battery holder to bent hooks slightly.



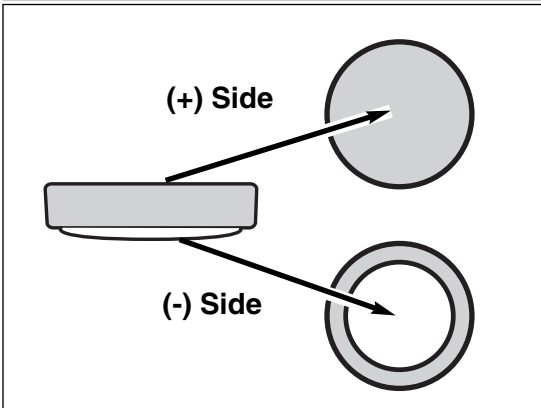
- (2) Mount a new battery by correct polarity and bent hooks back.



Location of Battery



Polarity of Battery



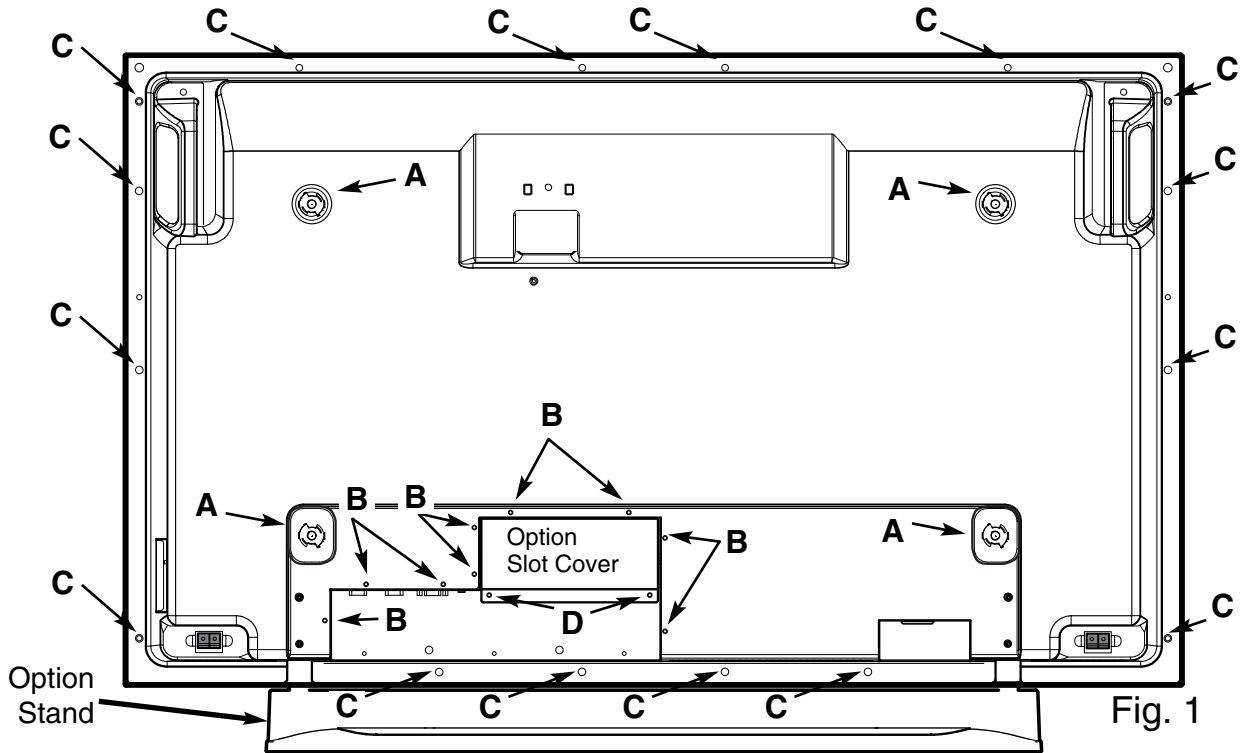
■ Mechanical Disassemblies

1. Cabinet Back Removal (Fig. 1)

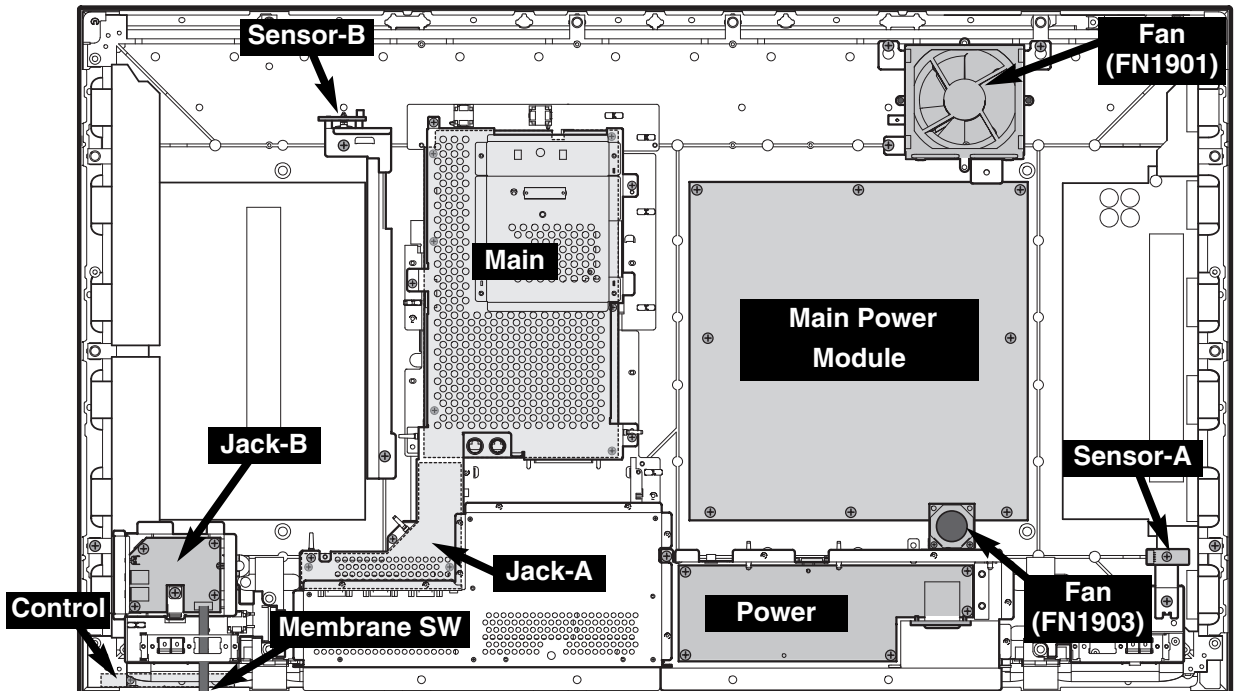
Remove screws (A, B, C) and remove Cabinet Back as Fig. 1.

Note: For removal Option Slot Cover, remove screws (D) and slide down.

A (4pcs: 8X20), B (9pcs: 3X6), C (16pcs: Special Screw), D (2pcs: 3X6)



Location of Circuit Board and Electric Parts



Note: Control Board and Membrane Switch are fixed at Cabinet Front.

Fig. 2

2. Chassis Removal

[ATTENTION]

This PDP monitor is used the different kind of screw. Using **correct screw** is needed to avoid the damage.

2-1 Fans Removal (Fig. 3)

FN1901

- 1) Remove screws (FN1: 3pcs) and take Fan (FN1901) with the holder off.
- 2) Remove screws (FN2: 2pcs) and take Fan from the holder.

FN1903

- 1) Remove screws (FN3: 2pcs) and take Fan (FN1903) with the holder off.

2-2 Power Board Removal (Fig. 3)

- 1) Remove screws (P1: 5pcs) and take Power Board off.
- * Remove screw (P2: 1pc) and take Power Board with the holder off.

2-3 Sensor-A Board Removal (Fig. 3)

- 1) Remove screw (SA1: 1pc) and take Sensor-A Board off.
- * Remove screw (SA2: 1pc) and take Sensor-A Board with the plate off.
- ** Remove screw (STB1: 1pc) and take Speaker Terminal Base (R) with the Sensor-A Board and holder off.

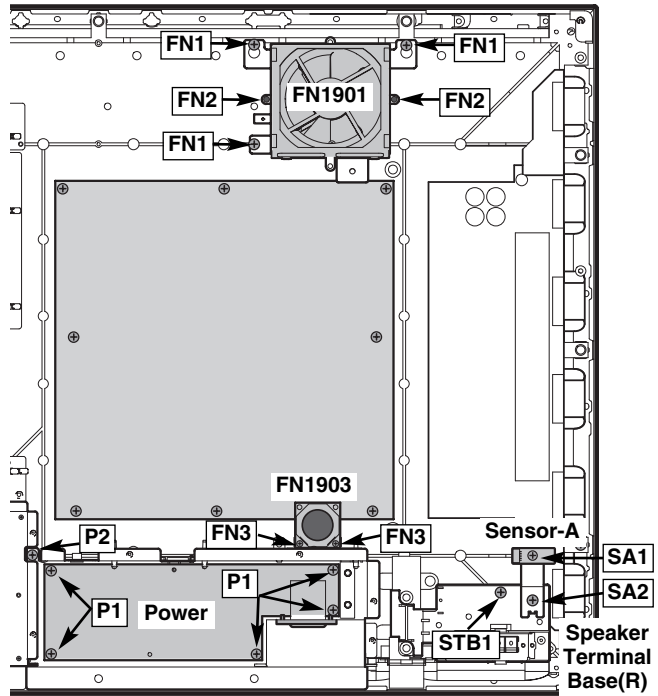


Fig. 3

2-4 Sensor-B Board Removal (Fig. 4)

- 1) Remove Sensor-B Board from the Hook.
- * Remove screws (SB1: 2pcs) and take Sensor-B Board with the plate off.

2-5 Jack-B Board Removal (Fig. 4)

- 1) Remove screw (B1: 4pcs) and take Jack-B Board with the holder off.
- * Remove screw (STB2: 1pc) and take Speaker Terminal Base (R) with the Jack-B Board and holder off.

2-6 Main and Jack-A Boards Removal (Fig. 4)

- 1) Remove screws (SP1: 6pcs) and take Shield Plate (for Main and Jack-A board) off.
- 2) Remove screws (M1: 6pcs) and take Main board off.
- 3) Remove screws (TP1: 6pcs) and nut-screws of the terminals on Jack-A board (6pcs), and take Terminal Plate off.
- 4) Remove screws (A1: 2pcs) and take Jack-A board off.

Note: If the cable is fixed by ferrite core or CV band (fixer), remove it as the need arises. After servicing, it is necessary to be fixed again to previous position.

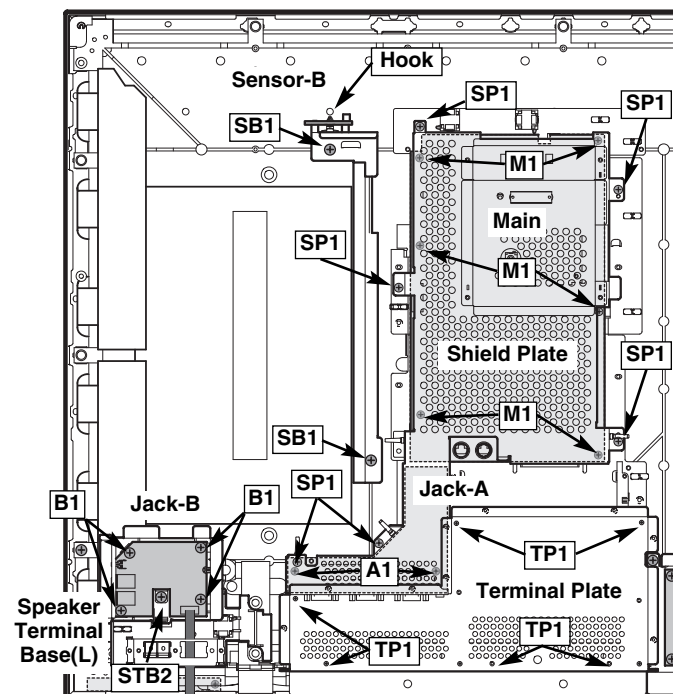


Fig. 4

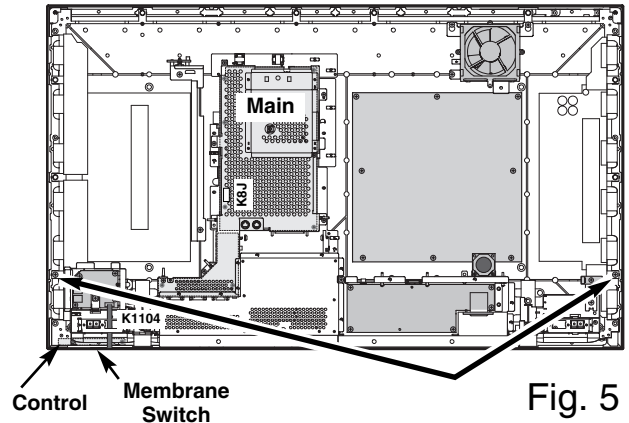
3. Cabinet Front and Optical Filter Removal

Cabinet Front includes Optical Filter to protect the damage of Panel, improve picture quality, or prevent exposure of interference.

Note: The Optical Filter is easy to be damaged. Do not touch directly by hand. If there is the dust, remove it by watery neutral detergent.

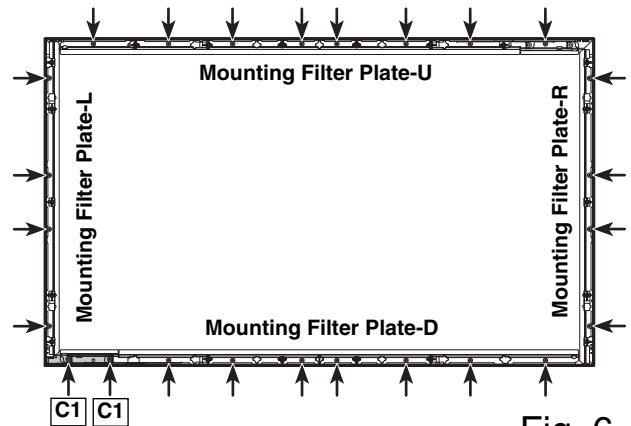
3-1 Cabinet Front Removal (Fig. 5)

- 1) Remove the lead wire of Control board from Main Board (K8J).
- 2) Remove the lead wire of Membrane Switch from Jack-B board (K1104).
- * Membrane Switch is fixed on the Cabinet Front by two-sided tape.
- 3) Remove screws (2pcs) of Fig.5 and take Cabinet Front off.



3-2 Control Board and Optical Filter Removal (Fig. 6)

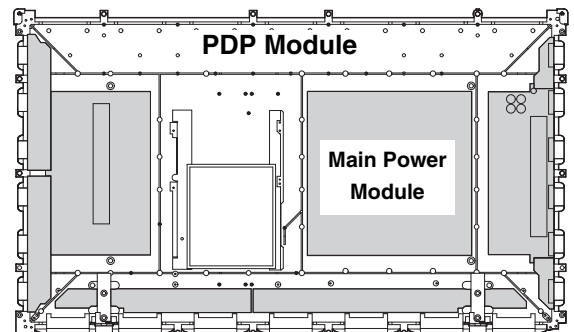
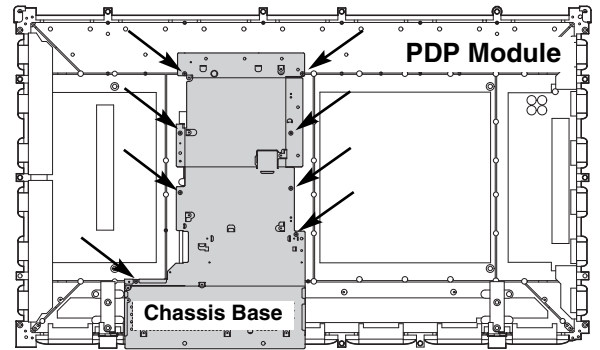
- 1) Remove screws (C1: 2pcs, Others: 7pcs) of Mounting Filter Plate-D and take Mounting Filter Plate-D and Control Board off.
- 2) Remove screws (16pcs) of Mounting Filter Plate-A, B and C and take Mounting Filter Plate-A, B and C and Optical Filter off.



4. Panel Module Removal

- 1) Proceed 1 to 3 to remove Cabinet Back, Chassis and Cabinet Front.
- 2) Remove screws (8pcs) of Chassis Base and take it from Panel Module. (Fig. 7)

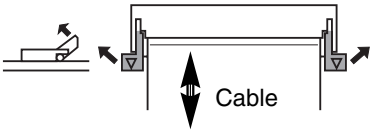
Note: Units of Fig.8 are included with Panel for PDP Module. Do not remove them from Panel. For removal of Panel, it is necessary to change these all units together. **Main Power Module is included with Panel Module** too. Do not remove Main Power Module from Panel Module.



■ Flat Cable Removal

This set is used 3 kinds of connector for flat cable. For removal of cable, refer as below not to damage.

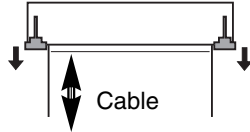
Type A



For removal of flat cable, lift up hook of both sides.

For insert and fixing, hold down hook after inserting the flat cable.

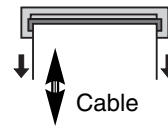
Type B



For removal of flat cable, slide hook of both sides.

For insert and fixing, slide hook to previous position after inserting the flat cable.

Type C



For removal of flat cable, pull off only.

For fixing, insert into socket.

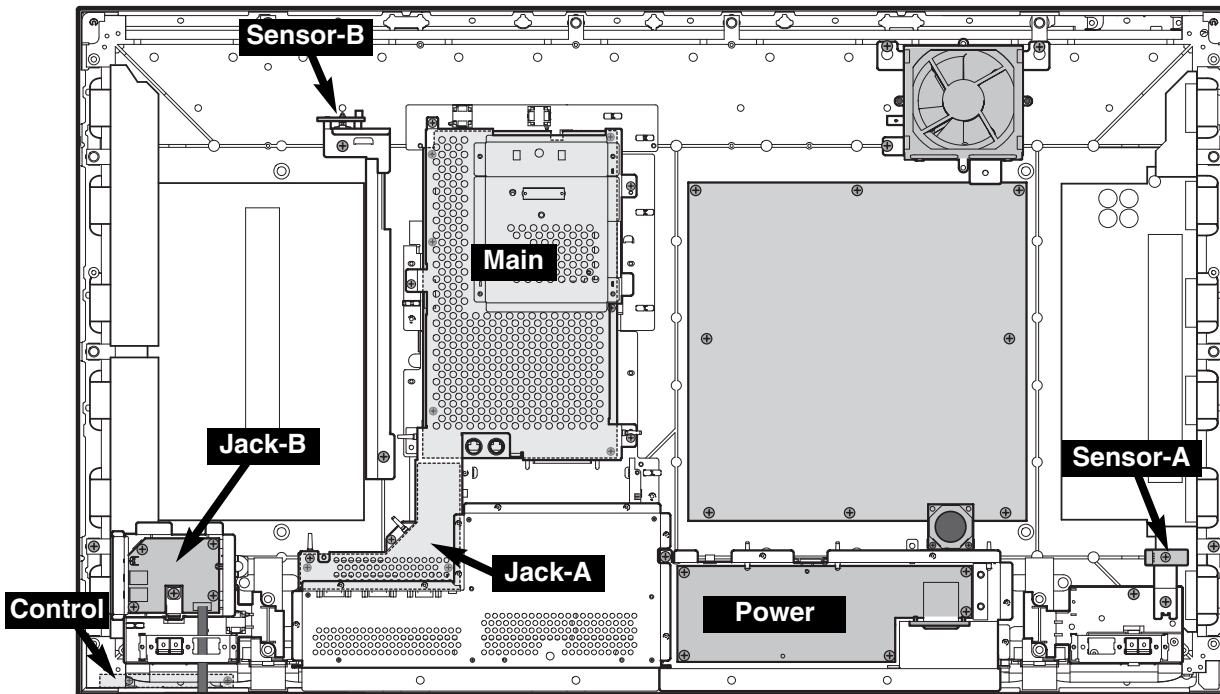
■ For Gasket

The gasket is provided to prevent exposure of interference for other radio and television receptions.

The gasket should be **replaced on previous positions** after servicing.

■ Notice for service of Board

In below boards, can be repaired inside parts or unit itself. Order service parts for repair.



Note: Control Board and Membrane Switch are fixed at Cabinet Front.

■ Adjustment

CAUTION

The each circuit has been made by the fine adjustment at factory. Do not attempt to adjust the following adjustments except requiring the readjustments in servicing otherwise it may cause loss of performance and product safety.

Before Adjustment

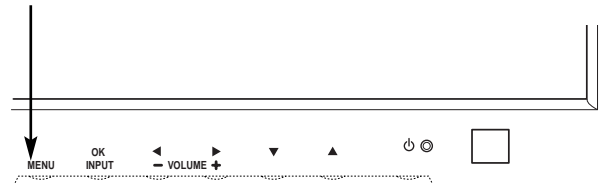
This adjustment is done to enter Service Mode by Remote Control Unit.

■ To enter Service Mode

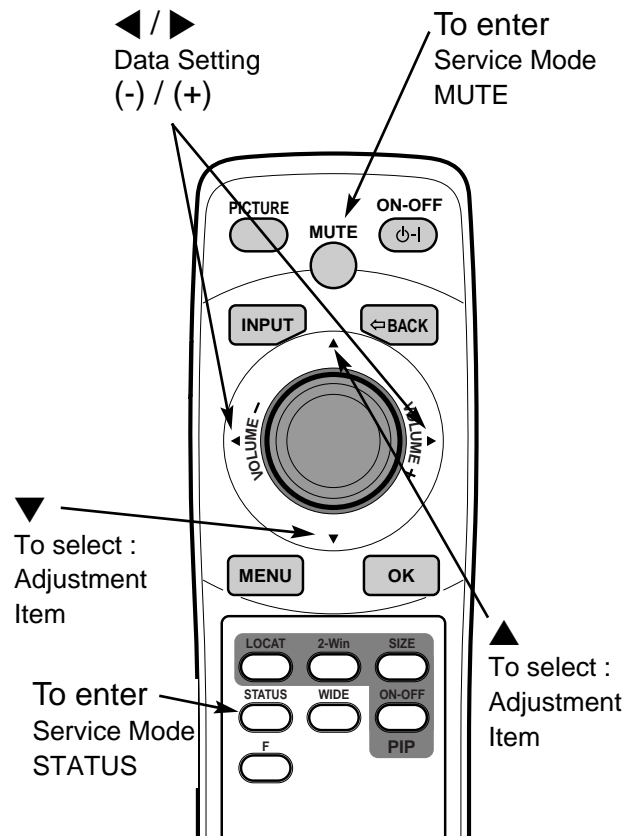
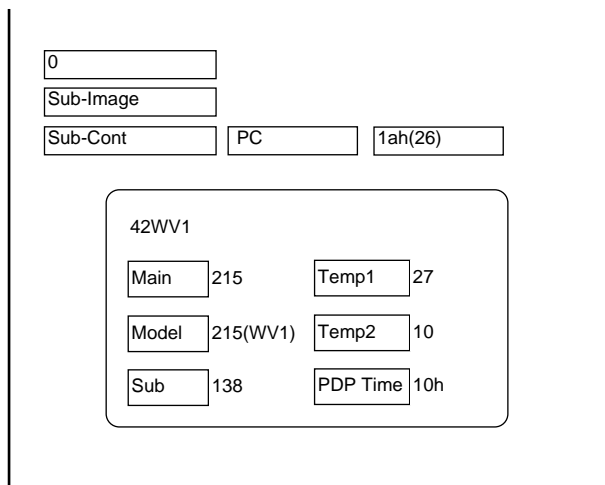
Quick operation is needed to enter Service Mode.

- (1) Turn the monitor on.
- (2) Press and hold the MENU button on the monitor.
- (3) Keep item (2) and press the STATUS button and release the both buttons.
- (4) **Within 2 seconds** after item (3), press the MUTE button to appear the Service Mode Display.

MENU Button



■ Service Mode Display



■ To return to the Normal Mode

Once turn the Monitor off by pressing "POWER" button on the monitor or remote control unit and turn it on again.

■ To adjust

The next 5 pages show Data for adjustment.

To select adjustment item, press ▲ or ▼ button on the remote control unit.

To adjust data, press ◀ or ▶ button on the remote control unit.

1) Select adjustment item by ▲ button.

Adjustment item is displayed in order. To reverse adjustment item, press ▼ button.

2) Adjust the data by ◀ or ▶ button.

3) To exit the Service Mode.

To exit the service mode, press POWER ON-OFF button on the monitor or remote control unit.

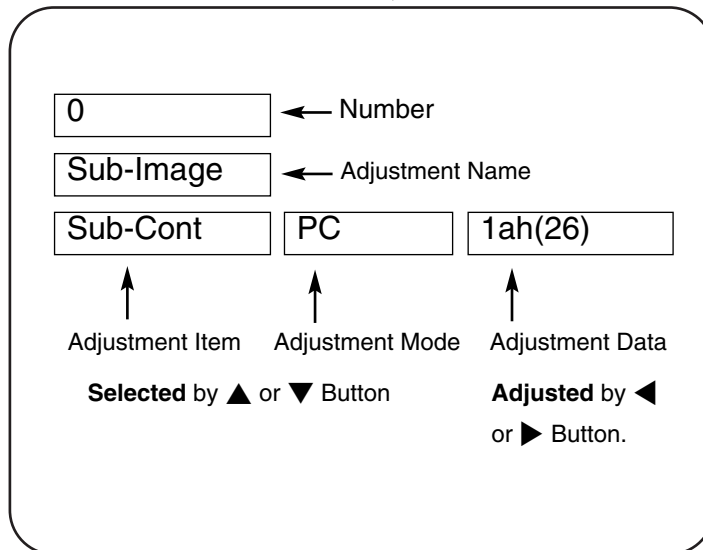
Service Mode Display

0		
Sub-Image		
Sub-Cont	PC	1ah(26)

42WV1			
Main	215	Temp1	27
Model	215(WV1)	Temp2	23
Sub	138	PDP Time	10h

*

* This menu is for factory data, not used for servicing.



The all data adjusted in service mode memorizes into non-volatile memory IC.

Note: In the explanation all buttons are indicated for remote control unit without any notice.

■ Service Adjustment Data Table

NO.	Name	Mode	Item	Initial Data	Note
0	Sub Image	PC	Sub-Cont	1ah(26)	
1			Sub-Bright	80h(128)	
2			Sub-Color	23h(35)	
3			Sub-Tint	80h(128)	
4		Component	Sub-Cont	1ch(28)	
5			Sub-Bright	26h(38)	
6			Sub-Color	1ch(28)	
7			Sub-Tint	80h(128)	
8		NTSC	Sub-Cont	1ch(28)	
9			Sub-Bright	80h(128)	
10			Sub-Color	1fh(31)	
11			Sub-Tint	80h(128)	
12		PAL	Sub-Cont	1bh(27)	
13			Sub-Bright	80h(128)	
14			Sub-Color	1fh(31)	
15			Sub-Tint	80h(128)	
16		SECAM	Sub-Cont	1bh(27)	
17			Sub-Bright	80h(128)	
18			Sub-Color	1fh(31)	
19			Sub-Tint	80h(128)	
20		D PC	Sub-Cont	15h(21)	
21			Sub-Bright	80h(128)	
22			Sub-Color	23h(35)	
23			Sub-Tint	80h(128)	
24		TEL TEXT	Sub-Cont	1ch(28)	
25			Sub-Bright	80h(128)	
26			Sub-Color	20h(32)	
27			Sub-Tint	80h(128)	
28		HDCP	Sub-Cont	15h(21)	
29			Sub-Bright	80h(128)	
30			Sub-Color	23h(35)	
31			Sub-Tint	80h(128)	
32		PC	Sub-Sharp	09h(9)	
33		Component D1	Sub-Sharp	15h(21)	
34		Component D2	Sub-Sharp	15h(21)	
35		Component D3	Sub-Sharp	15h(21)	
36		Component D4	Sub-Sharp	15h(21)	
37		NTSC YC	Sub-Sharp	0ch(12)	
38		PAL YC	Sub-Sharp	0ch(12)	
39		SECAM YC	Sub-Sharp	0ch(12)	
40		NTSC VBS	Sub-Sharp	0dh(13)	
41		PAL VBS	Sub-Sharp	0dh(13)	
42		SECAM VBS	Sub-Sharp	0dh(13)	
43		SCART	Sub-Sharp	00h(0)	
44		TEL TEXT	Sub-Sharp	0ch(12)	
45	Image Menu	Standard AV	Contrast	34h(52)	
46			Bright	1fh(31)	
47			Color	1fh(31)	
48			Tint	00h(0)	
49			Sharp	08h(8)	
50			Gamma	03h(3)	
51		Dynamic AV	Contrast	3fh(63)	
52			Bright	1fh(31)	
53			Color	23h(35)	
54			Tint	00h(0)	
55			Sharp	08h(8)	

- All data except in gray box area is fixed. Do not change for correct operating.
- Data in gray box area is initial. Can be set according to adjustment information.

NO.	Name	Mode	Item	Initial Data	Note
56			Gamma	05h(5)	
57		Cinema AV	Contrast	1fh(31)	
58			Bright	1fh(31)	
59			Color	1bh(27)	
60			Tint	00h(0)	
61			Sharp	08h(8)	
62			Gamma	00h(0)	
63		Standard PC	Contrast	2fh(47)	
64			Bright	1fh(31)	
65			Color	1fh(31)	
66			Tint	00h(0)	
67			Sharp	08h(8)	
68			Gamma	03h(3)	
69		Graphics PC	Contrast	3fh(63)	
70			Bright	1fh(31)	
71			Color	23h(35)	
72			Tint	00h(0)	
73			Sharp	0ch(12)	
74			Gamma	05h(5)	
75		Text PC	Contrast	28h(40)	
76			Bright	1fh(31)	
77			Color	19h(25)	
78			Tint	00h(0)	
79			Sharp	07h(7)	
80			Gamma	07h(7)	
81	VPC3230D	AV	AB Low Byte	1ch(28)	
82			AB High Byte	02h(2)	
83			AC Low Byte	1ch(28)	
84			AC High Byte	02h(2)	
85			BE	06h(6)	
86			PLL	02h(2)	
87	AD9884	540p	Phase	10h(16)	
88		540p(50)	Phase	10h(16)	
89		525i	Phase	12h(18)	
90		625i	Phase	12h(18)	
91		525p	Phase	10h(16)	
92		625p	Phase	10h(16)	
93		1035i / 1080i	Phase	10h(16)	
94		1080i(50)	Phase	10h(16)	
95		720p	Phase	16h(22)	
96		720p(50)	Phase	10h(16)	
97		Out 525i	On/Off	01h(1)	
98		Out 625i	On/Off	01h(1)	
99	Color Balance	White:VBS/YC	Red	80h(128)	
100			Green	80h(128)	
101			Blue	80h(128)	
102		Black:VBS/YC	Red	00h(0)	
103			Green	00h(0)	
104			Blue	00h(0)	
105		White:Component	Red	80h(128)	
106			Green	80h(128)	
107			Blue	80h(128)	
108		Black:Component	Red	00h(0)	
109			Green	00h(0)	
110			Blue	00h(0)	
111		White:PC	Red	75h(117)	
112			Green	80h(128)	
113			Blue	75h(117)	
114		Black:PC	Red	00h(0)	
115			Green	00h(0)	

NO.	Name	Mode	Item	Initial Data	Note
116			Blue	00h(0)	
117		White:DVI/HDCP	Red	80h(128)	
118			Green	80h(128)	
119			Blue	80h(128)	
120		Black:DVI/HDCP	Red	00h(0)	
121			Green	00h(0)	
122			Blue	00h(0)	
123	Color Temp	AV High	Red	76h(118)	
124			Green	7ah(122)	
125			Blue	80h(128)	
126		AV Mid	Red	80h(128)	
127			Green	80h(128)	
128			Blue	80h(128)	
129		AV Low	Red	80h(128)	
130			Green	7eh(126)	
131			Blue	73h(115)	
132		PC High	Red	76h(118)	
133			Green	7ah(122)	
134			Blue	80h(128)	
135		PC Mid	Red	80h(128)	
136			Green	80h(128)	
137			Blue	80h(128)	
138		PC Low	Red	80h(128)	
139			Green	7eh(126)	
140			Blue	73h(115)	
141	Sound Device	Sound AGC	On/Off	00h(0)	
142			Level	01h(1)	
143		Sound BCSB/Bass	Sub-Set	01h(1)	
144		Sound BCST/Treb	Sub-Set	01h(1)	
145	Wide	Pc Just Width	+/- Flag	00h(0)	
146			Data High	00h(0)	
147			Data Low	00h(0)	
148		Video Just Width	+/- Flag	00h(0)	
149			Data High	27h(39)	
150			Data Low	00h(0)	
151	PDP	Error Diffusion On/Off	SW	02h(2)	
152		H Start Pos 1	Data	20h(32)	
153		H Start Width 1	Data	bah(186)	
154		H Start Pos 2	Data	96h(150)	
155		H Start Width 2	Data	40h(64)	
156		Threshold	PC MPD	01h(1)	
157			AV MPD	01h(1)	
158		50Hz / 50Hz - 100	F SW	04h(4)	
159		ABL Level Hi	Data	23h(35)	
160		ABL Level Lo	Data	19h(25)	
161		H Start Width Top 1	Bit	01h(1)	
162		H Start Width Top 2	Bit	01h(1)	
163	Side Bar Off	Border Color Type 1	Red	00h(0)	
164			Green	00h(0)	
165			Blue	00h(0)	
166	Side Bar On	Border Color Type 2	Red	40h(64)	
167			Green	40h(64)	
168			Blue	40h(64)	
169	Over Scan	525i VBS	H Start +	1fh(31)	
170			V Start +	09h(9)	
171			Width +	09h(9)	
172			Height +	07h(7)	
173		525i YC	H Start +	1fh(31)	
174			V Start +	09h(9)	
175			Width +	09h(9)	

NO.	Name	Mode	Item	Initial Data	Note
176			Height +	07h(7)	
177		525i Component	H Start +	19h(25)	
178			V Start +	0fh(15)	
179			Width +	07h(7)	
180			Height +	05h(5)	
181		525p Component	H Start +	1dh(29)	
182			V Start +	0ah(10)	
183			Width +	07h(7)	
184			Height +	05h(5)	
185		625i VBS	H Start +	14h(20)	
186			V Start +	1fh(31)	
187			Width +	0ah(10)	
188			Height +	07h(7)	
189		625i YC	H Start +	14h(20)	
190			V Start +	1fh(31)	
191			Width +	0ah(10)	
192			Height +	07h(7)	
193		625i Component	H Start +	2fh(47)	
194			V Start +	14h(20)	
195			Width +	08h(8)	
196			Height +	06h(6)	
197		625p Component	H Start +	2fh(47)	
198			V Start +	14h(20)	
199			Width +	08h(8)	
200			Height +	08h(8)	
201		1080i Component	H Start +	2ch(44)	
202			V Start +	20h(32)	
203			Width +	05h(5)	
204			Height +	05h(5)	
205		1080i(50) Component	H Start +	2dh(45)	
206			V Start +	18h(24)	
207			Width +	05h(5)	
208			Height +	04h(4)	
209		720p Component	H Start +	1dh(29)	
210			V Start +	12h(18)	
211			Width +	05h(5)	
212			Height +	05h(5)	
213		720p(50) Component	H Start +	2ch(44)	
214			V Start +	13h(19)	
215			Width +	05h(5)	
216			Height +	05h(5)	
217		540p Component	H Start +	2ch(44)	
218			V Start +	10h(16)	
219			Width +	05h(5)	
220			Height +	06h(6)	
221		540p(50) Component	H Start +	2dh(45)	
222			V Start +	0eh(14)	
223			Width +	05h(5)	
224			Height +	06h(6)	
225	Image AGC	VPC	Start Value	27h(39)	
226			Limit Value	3fh(63)	
227			Step Size	01h(1)	
228			Stop Range	08h(8)	
229		AD9884	Start Value	a7h(167)	
230			Limit Value	6ah(106)	
231			Step Size	04h(4)	
232			Stop Range	08h(8)	
233		Max Peak	PC Peak	e6h(230)	
234			TV/VBS/YC	d7h(215)	
235			D2 - D4 Peak	d7h(215)	

NO.	Name	Mode	Item	Initial Data	Note
236		Min Ratio	---	00h(0)	
237		Avail Ratio	---	0fh(15)	
238		AGC On/Off	Active	01h(1)	
239		AGCD1 On/Off	Active	01h(1)	
240	Main Ver	Main	Ver No.	d1h(209)	
241	Power State	Power Fail	State	00h(0)	
242		Power PDP Fail	State	00h(0)	
243	Fan Control	Mode	Command	01h(1)	
244	Field Control	Condition - 1	Field Begin	00h(0)	
245			Field End	01h(1)	
246		Condition - 2	Field Begin	00h(0)	
247			Field End	02h(2)	
248		Condition - 3	Field Begin	00h(0)	
249			Field End	03h(3)	
250		Condition - 4	Field Begin	00h(0)	
251			Field End	04h(4)	
252		Condition - 5	Field Begin	00h(0)	
253			Field End	05h(5)	
254		Condition - 6	Field Begin	00h(0)	
255			Field End	06h(6)	
256	Color Filter Control	PC	Red 1	1fh(31)	
257			Red 2	1fh(31)	
258			Green 1	1fh(31)	
259			Green 2	1fh(31)	
260			Blue 1	1fh(31)	
261			Blue 2	1fh(31)	
262		DVI	Red 1	1fh(31)	
263			Red 2	1fh(31)	
264			Green 1	1fh(31)	
265			Green 2	1fh(31)	
266			Blue 1	1fh(31)	
267			Blue 2	1fh(31)	
268		Component	Red 1	1fh(31)	
269			Red 2	1fh(31)	
270			Green 1	1fh(31)	
271			Green 2	1fh(31)	
272			Blue 1	1fh(31)	
273			Blue 2	1fh(31)	
274		VBS/YC	Red 1	1fh(31)	
275			Red 2	1fh(31)	
276			Green 1	1fh(31)	
277			Green 2	1fh(31)	
278			Blue 1	1fh(31)	
279			Blue 2	1fh(31)	

■ Setting the fixed data

This adjustment is controlled by the Sub CPU (IC801) through the IIC Data Bus Line in the chassis, and those adjustment data are memorized into the memory IC (IC804). Therefore, SUB CPU Board or the memory IC (IC808) is replaced, data of those will be disappeared. Readjustment should be made. Initial data is provided in the CPU ROM ,when memory IC (IC804) is replaced with new one, CPU ROM data is loaded into the memory. (Data list will be shown in previous 5 pages.) Initial data is provided to operating the monitor basically. For operating the monitor quality performance, further adjustment required following chassis electrical adjustment.

- (1) Receive the good quality signal.
- (2) Enter the Service Mode
- (3) Confirm fixed data to be same as data table. If it is different, change to correct data.
- (4) Return to the Normal Mode

■ White Balance Adjustment

Pattern : White Pattern

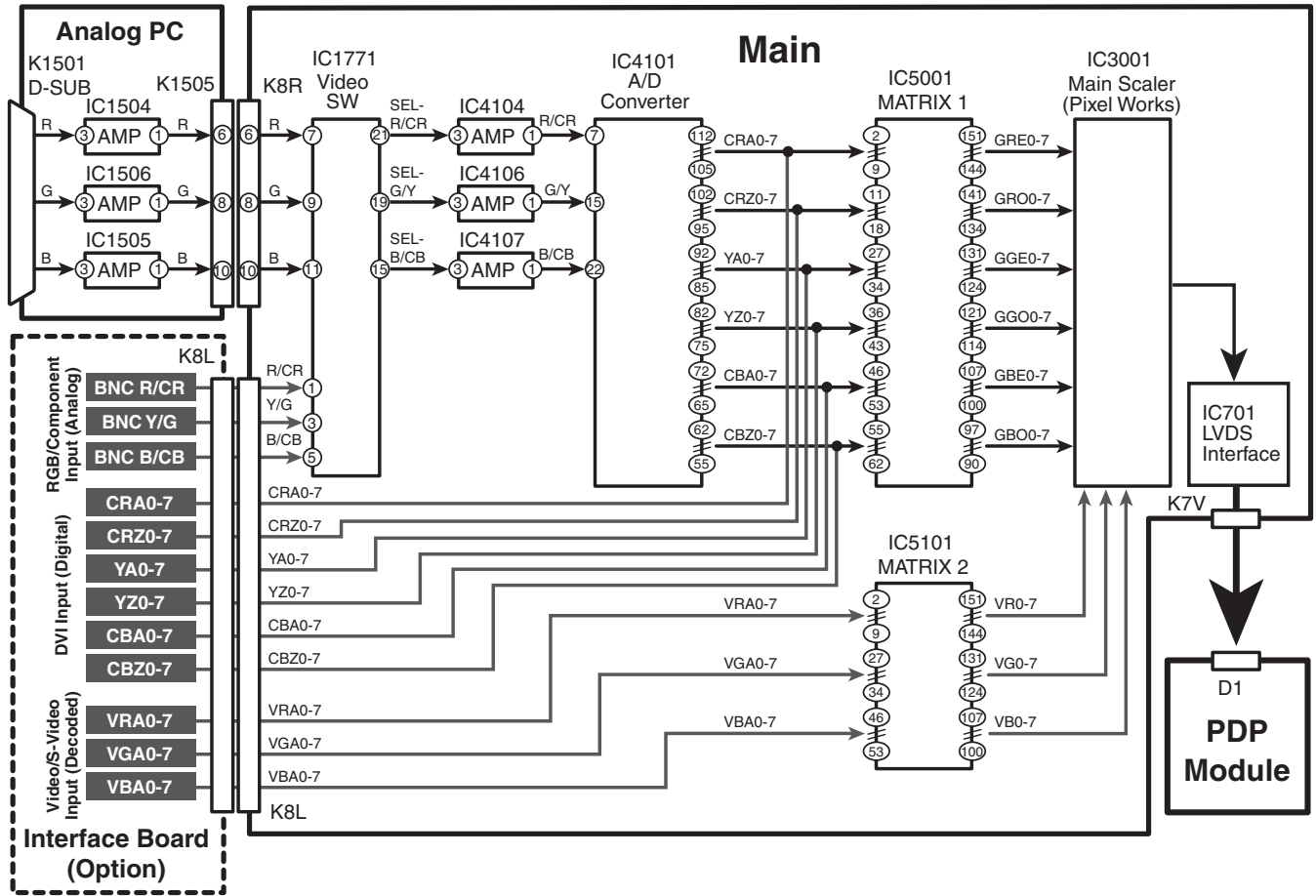
Condition : Screen Size : FULL, Picture Image Level : STANDARD

Adjustment : Enter the service mode, select item No. 111 [Red], 112 [Green] or 113 [Blue] (White:PC), and adjust a proper white balance.

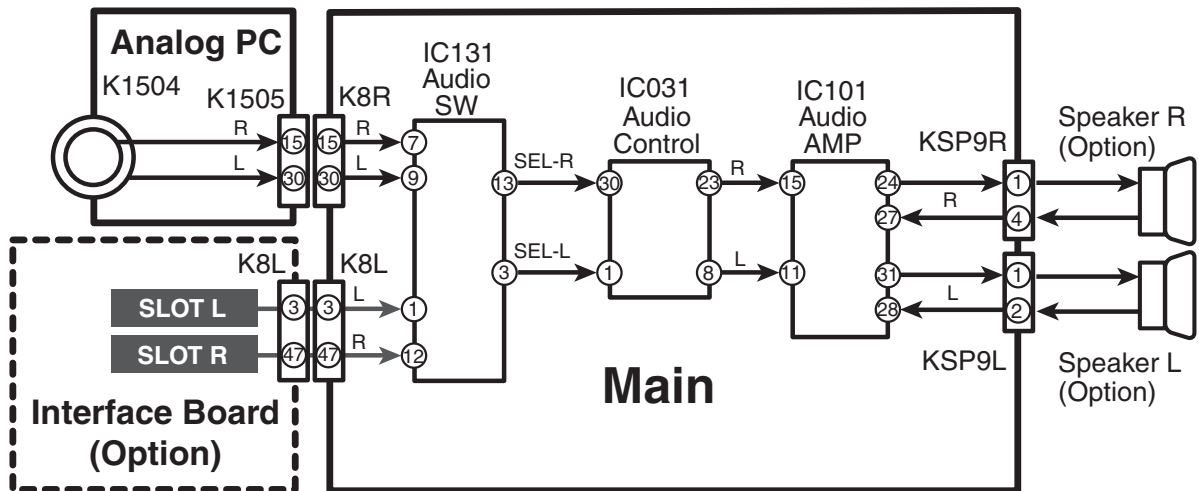
Note : After adjustment, confirm white balance again by normal picture.

■ Circuit Block Diagram

■ Video

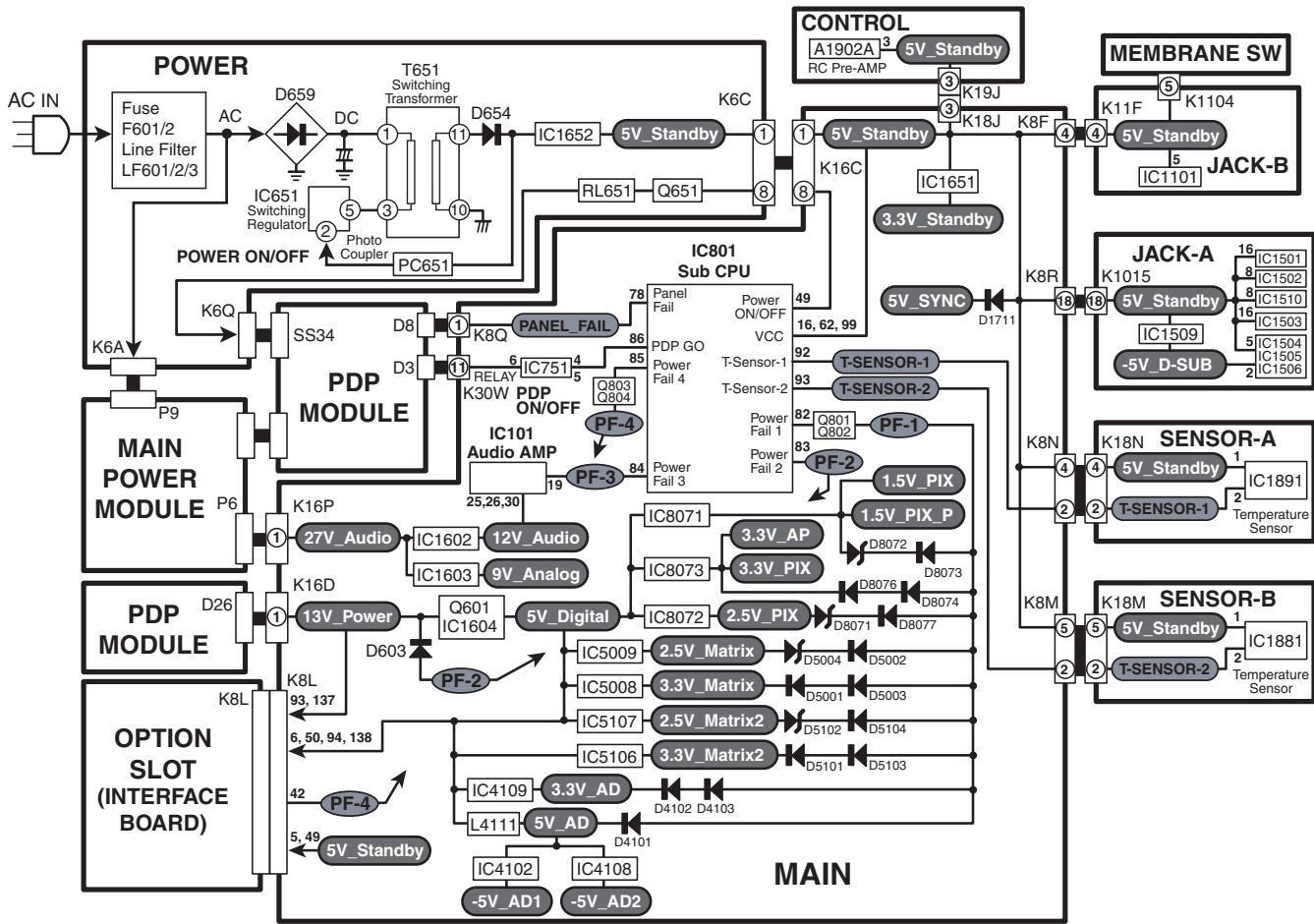


■ Audio

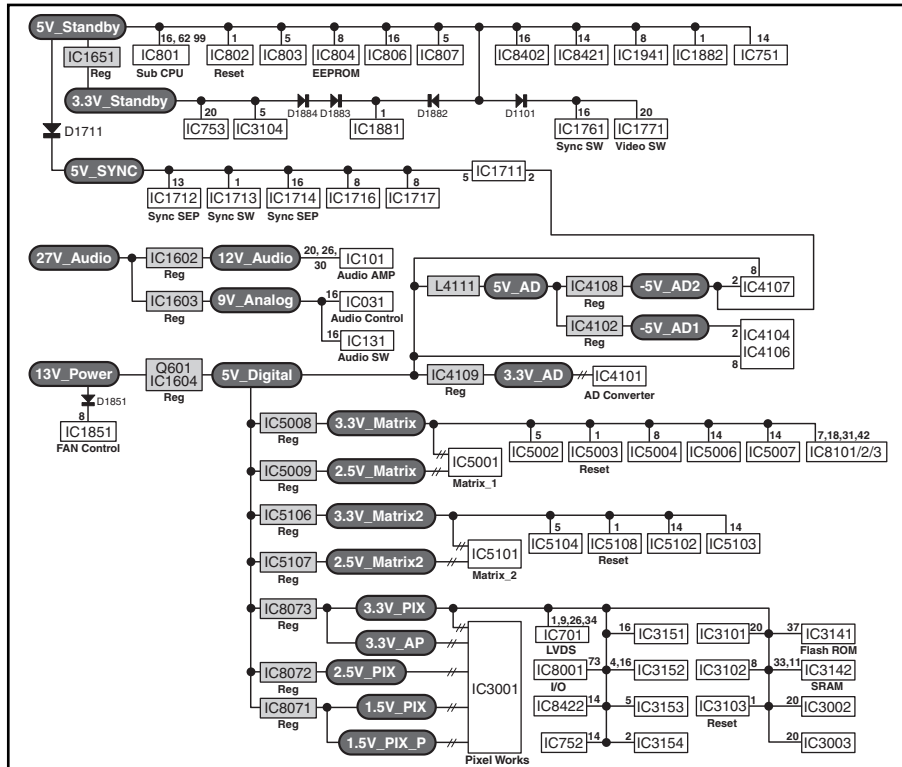


Power Supply Lines

Power Supply Lines



Power Source of IC (Main Board)

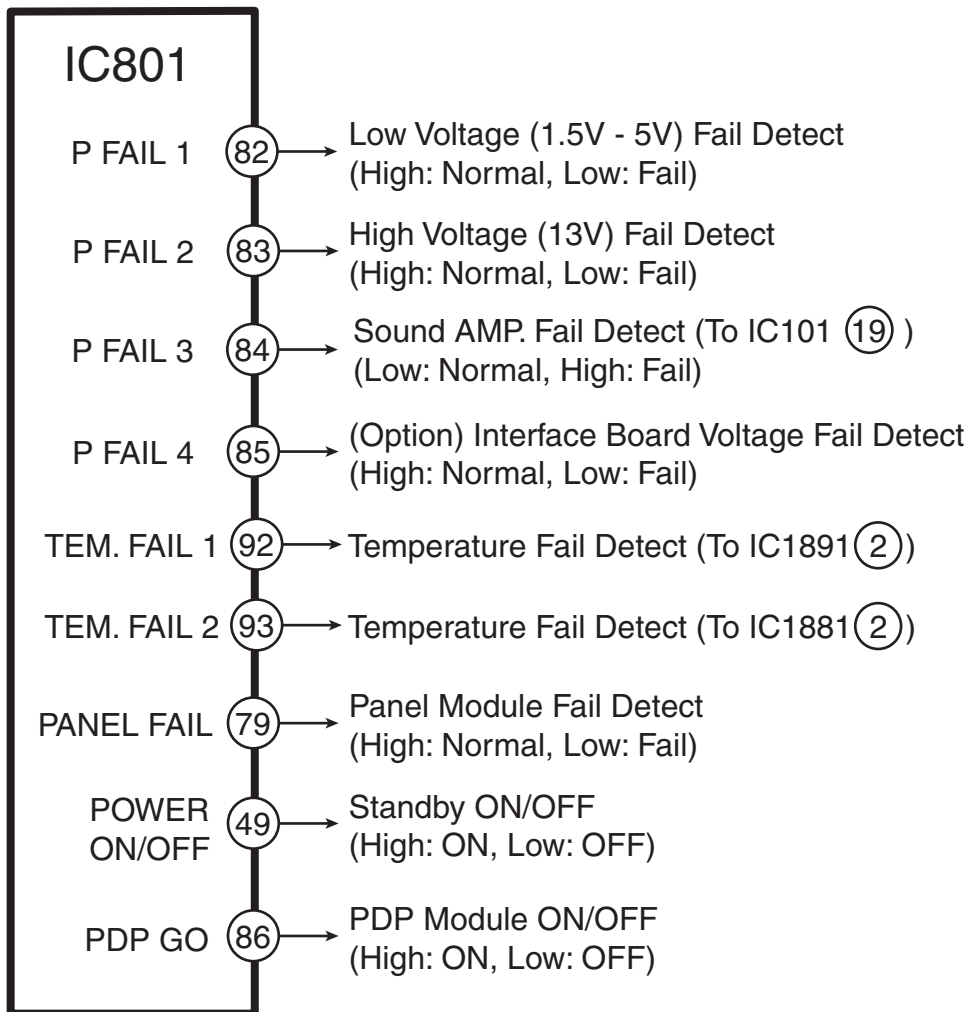


■ Power Fail Circuit

Sub CPU (IC801) is programmed that the set goes to standby mode when there is circuit fail as below. (Refer to "Power Supply Lines: P18)

1. Power Fail 1 : Detected the low voltage fail in Main board. (From 1.5V to 5V)
2. Power Fail 2 : Detected the High voltage fail in Main board. (13V)
3. Power Fail 3 : Detected the fail of Audio AMP IC (IC101).
4. Power Fail 4 : Detected the voltage fail of Interface Board (Option).
5. Temperature Fail : Detected the fail of Temperature Sensor IC (IC1881/1891).
6. Panel Fail (ALARM) : Detected the fail of PDP Module.

Note: In case of Panel Fail (ALARM), the set does not go to standby mode. (Only "PDP_GO" line is off.)



When operating the Power Fail Circuit, On-Screen-Display message or LED flashing time is shown as below.

On-Screen-Display Message

1. TEMPERATURE FAIL

When the internal temperature exceeds normal (approximately more than 80 degrees), below message is displayed for 10 seconds and the Plasma monitor will be turned off automatically.

Warning!
Internal temperature is too high.

LED Flashing

1. PANEL & TEMPERATURE FAIL: The color of LED is 'RED'.

Times of flashing	Fail Name
1	Panel Fail
2	Temperature Fail
3	Panel & Temperature Fail

2. POWER FAIL 1& 2: The color of LED is 'GREEN'.

Times of flashing	Fail Name
1	Power Fail 1
2	Power Fail 2
3	Power Fail 1 & 2

3. POWER FAIL 3& 4: The color of LED is 'YELLOW'.

Times of flashing	Fail Name
1	Power Fail 3
2	Power Fail 4
3	Power Fail 3 & 4

Note:

1. In case of overlapped fail, 1 to 3 is repeated in turn.
2. If power fail is detected 3 times in 15 minutes, the monitor will stop operating.

Note:If pull off the AC cord, the information of these fails will be disappeared.

When finishing the repair or stopping Power Fail, can be checked the history of the past fails.

To see the history

1. Enter the service mode. (Refer to "Adjustment" P9 - P10.)
2. Check the Item No.241 or No.242 of Service Adjustment Data Table. (Refer to P15.)

1. History of Power Fail (Item No. 241)

Fail Name	Data
No Fail	00h(0)
Power Fail 1	01h(1)
Power Fail 2	02h(2)
Power Fail 3	04h(4)
Power Fail 4	08h(8)
Panel Fail (ALARM)	10h(16)
Temperature Fail	20h(32)

Note: If counted the overlapped fail, the sum of each data is displayed.

For example:

Power Fail 2 & Panel Fail (ALARM)
 $02h + 10h = 12h(18)$

2. History of Panel Fail (Item No. 242)

Fail Name	Data
No Panel Fail	00h(0)
Voltage Fail (5V)	01h(1)
Voltage Fail (3V)	02h(2)
Panel Driver Fail	04h(4)

Note: If counted the overlapped fail, the sum of each data is displayed.

For example:

Voltage Fail (5V) & Panel Driver Fail
 $01h + 04h = 05h(5)$

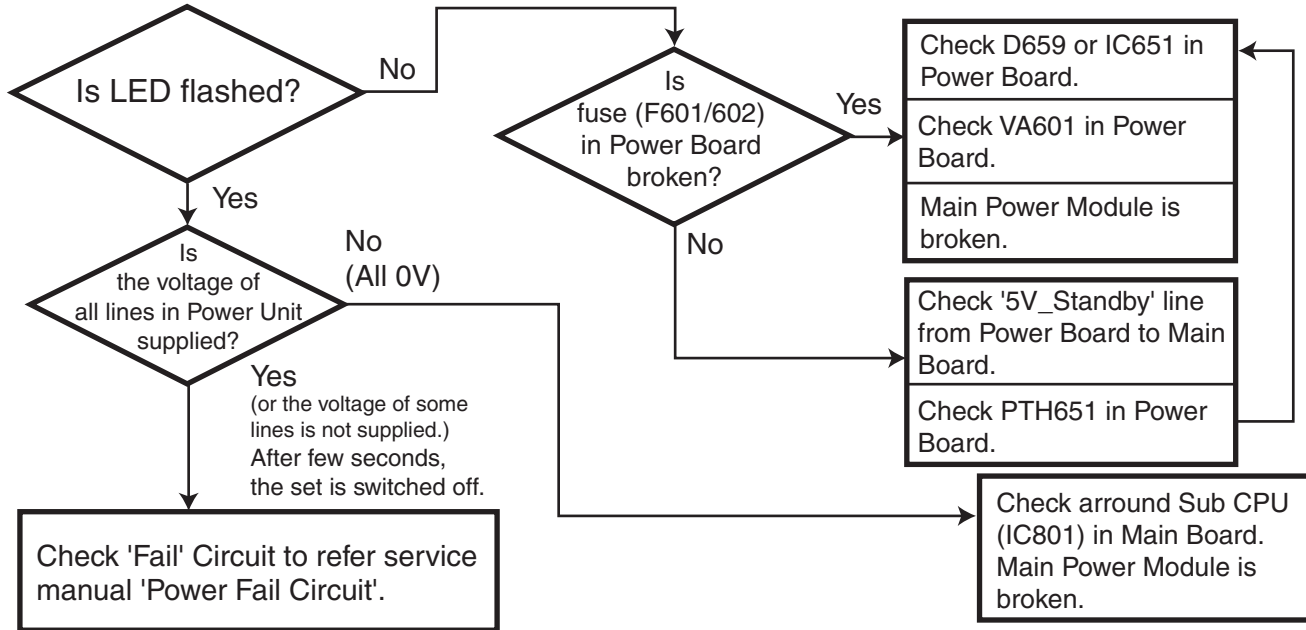
Attention: After finishing the service, their data should be reset to "00h(0)".

■ Troubleshooting

No Power

Refer to Schematic Diagram or Power Supply Line, find out the part of trouble.

Before opening Cabinet Back, check the AC cord and power source.



■ Control Port Functions

● System Control (Sub-CPU : IC801)

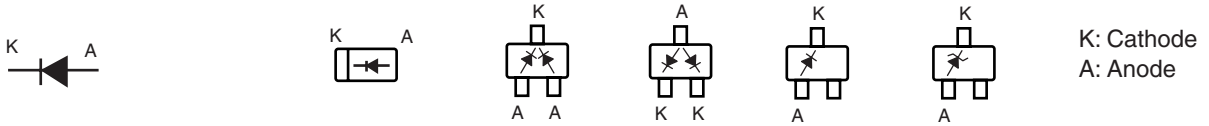
Pin NO.	Pin Name	Signal Name	I/O	Note	Data
1	P96/ANEX1/SOUT4	RTC_DATAOUT	O	For real time clock	
2	P95/ANEX0/CLK4	RTC_CLK	O	For real time clock	
3	P94/DA1/TB4IN	FAN-CTRL1	O	Fan control 1	D/A
4	P93/DA0/TB3IN	FAN-CTRL2	O	Fan control 2	D/A
5	P92/TB2IN/SOUT3				Not used (Output: Low)
6	P91/TB1IN/SIN3	HS_DET	I	(Analog)PC-HSYNC IN	DPMS input
7	P90/TB0IN/CLK3				Not used (Output: Low)
8	BYTE				
9	CNVss	CNVSS		For writing	
10	P87/XCIN				Not used (Output: Low)
11	P86/XCOUT				Not used (Output: Low)
12	RESET	CPURST		IC reset	
13	XOUT				
14	VSS				
15	XIN				
16	VCC				
17	P85/NMI				
18	P84/INT2	RC	I	RC input	RC input
19	P83/INT1				Not used (Output: Low)
20	P82/INT0	VS_DET	I	(Analog)PC-VSYNC IN	DPMS input
21	P81/TA4IN/U				Not used (Output: Low)
22	P80/TA4OUT/U				Not used (Output: Low)
23	P77/TA3IN				Not used (Output: Low)
24	P76/TA3OUT				Not used (Output: Low)
25	P75/TA2IN/W				Not used (Output: Low)
26	P74/TA2OUT/W				Not used (Output: Low)
27	P73/CTS2/RTS2/TA1IN/V				Not used (Output: Low)
28	P72/CLK2/TA1OUT/V				Not used (Output: Low)
29	P71/RxD2/SCL/TA0IN/TB5IN	RXD2	I	UART for option board	Not used (Output: Low)
30	P70/TXD2/SDA/TA0OUT	TXD2	O	UART for option board	Not used (Output: Low)
31	P67/TXD1	UARTTX	O	UART for PIX	TX
32	P66/RxD1	UARTRX	I	UART for PIX	RX
33	P65/CLK1	SCLCK	I	For writing	Output: Low
34	P64/CTS1/RTS1/CLKS1	BUSY	I	For writing	Output: Low
35	P63/TXD0	RS232C_RX	O	Control for RS232C	RX
36	P62/RxD0	RS232C_TX	I	Control for RS233C	TX
37	P61/CLK0				Not used (Output: Low)
38	P60/CTS0/RTS0				Not used (Output: Low)
39	P57/RDY/CLKOUT				Not used (Output: Low)
40	P56/ALE				Not used (Output: Low)
41	P55/HOLD	EPM		For writing	Input
42	P54/HLDA	DVI HOT		DVI HOT	High:Permisson
43	P53/BCLK				Not used (Output: Low)
44	P52/RD				Not used (Output: Low)
45	P51/WRH/BHE				Not used (Output: Low)
46	P50/WRL/WR	CE		For writing	Not used (Output: Low)
47	P47/CS3				Not used (Output: Low)
48	P46/CS2	RTC_CE		For real time clock	High:Communication
49	P45/CS1	STB	O	Power ON/OFF	High:ON, Low:OFF
50	P44/CS0	AMP-MUTE1	O		Low:Mute
51	P43/A19	RS232C_A	O	Mode SW for RS232C	51Pin /52Pin:
52	P42/A18	RS232C_B	O	Mode SW for RS233C	H/H:Multi-monitor, H/L:Inter-communication, L/H:Through, L/L:Not used
53	P41/A17				Not used (Output: Low)
54	P40/A16				Not used (Output: Low)
55	P37/A15	SCL			EEPROM
56	P36/A14	SDA			EEPROM
57	P35/A13				Not used (Output: Low)
58	P34/A12	SCDT_ST1	I		Low:No signal
59	P33/A11				Not used (Output: Low)
60	P32/A10	L-RED	O		High:ON, LowOFF

Control Port Functions

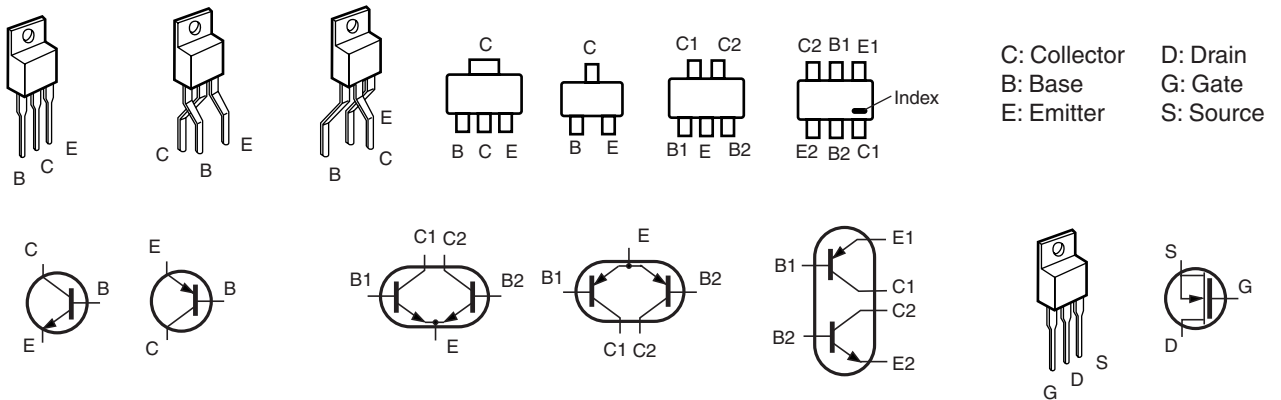
Pin NO.	Pin Name	Signal Name	I/O	Note	Data
61	P31/A9	L-GREEN	O		High:ON, LowOFF
62	VCC				
63	P30/A8(/-/D7)				Not used (Output: Low)
64	Vss				
65	P27/A7(/D7/D6)				Not used (Output: Low)
66	P26/A6(/D6/D5)				Not used (Output: Low)
67	P25/A5(/D5/D4)				Not used (Output: Low)
68	P24/A4(/D4/D3)				Input
69	P23/A3(/D3/D2)				Input
70	P22/A2(/D2/D1)				Input
71	P21/A1(/D1/D0)				Not used (Output: Low)
72	P20/A0(/D0/-)	RESET_SW	I	External reset SW (Input)	Low:Reset
73	P17/D15/INT5	FCOM	O	For real time clock	Low:Fixed
74	P16/D14/INT4	AIRQ	I	For real time clock	Not used (Input)
75	P15/D13/INT3	YIRQ	I	For real time clock	
76	P14/D12				Not used (Output: Low)
77	P13/D11	FAN-LOCK1	I	Fan Lock Input	High:Normal, Low:Locked
78	P12/D10	PANEL-LED	I	Panel LED (Fail Detection)	
79	P11/D9	ALARM	I	Panel Fail	High:Normal, Low:Fail
80	P10/D8	PW_RST	O	PIX reset (Output)	High:Reset
81	P07/D7	LINE OFF	I	Power OFF Detection	Low:AC OFF
82	P06/D6	P-FAIL1	I	1.5V,2.5V,3.3V,5V	High:Normal, Low:Fail
83	P05/D5	P-FAIL2	I	9V,12,13V	High:Normal, Low:Fail
84	P04/D4	P-FAIL3	I	For Audio AMP IC	High:Fail, Low:Normal
85	P03/D3	P-FAIL4	I	For Option Board (Slot)	High:Normal, Low:Fail
86	P02/D2	PDPGO_5	O	Panel ON/OFF	High:ON, Low:OFF
87	P01/D1	PWRSW	I	Power SW	
88	P00/D0	FAN-LOCK2	I	Fan Lock Input	High:Normal, Low:Locked
89	P107/AN7/KI3				Not used (Output: Low)
90	P106/AN6/KI2				Not used (Output: Low)
91	P105/AN5/KI1				Not used (Output: Low)
92	P104/AN4/KI0	T-SENSOR1	I	Temp-Sensor (Analog input)	A/D
93	P103/AN3	T-SENSOR2	I	Temp-Sensor (Analog input)	A/D
94	P102/AN2				Not used (Output: Low)
95	P101/AN1	KEY-IN	I	Key Input	A/D
96	AVSS				Not used (Output: Low)
97	P100/AN0				Not used (Output: Low)
98	VREF				Not used (Output: Low)
99	AVcc				Not used (Output: Low)
100	P97/ADTRG/SIN4	RTC_DATA	I	For real time clock	

Pin Description of Diode, Transistor and IC

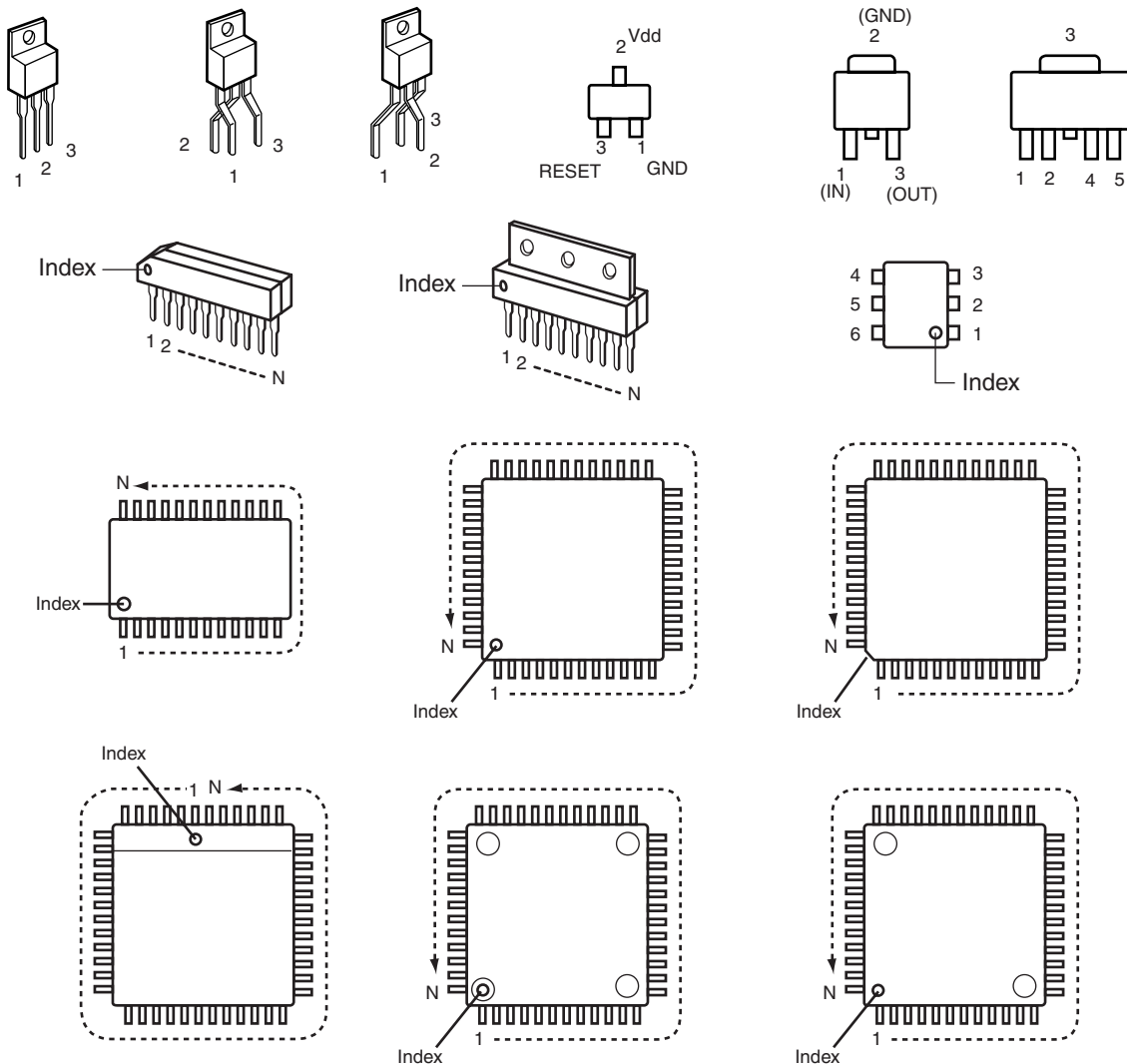
● Diode



● Transistor/FET



● IC



Parts List

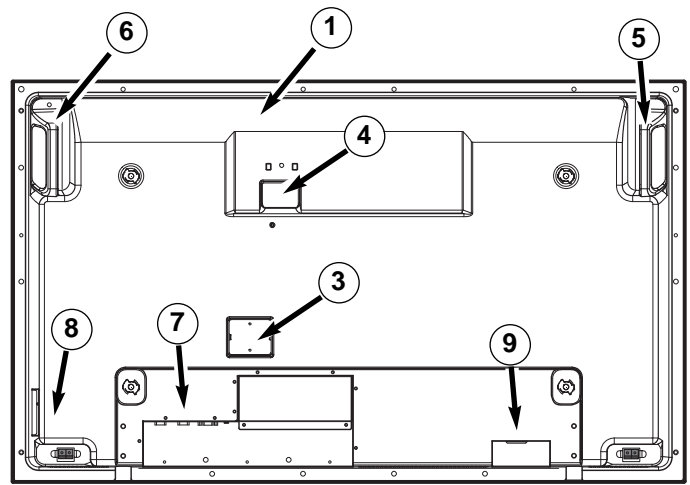
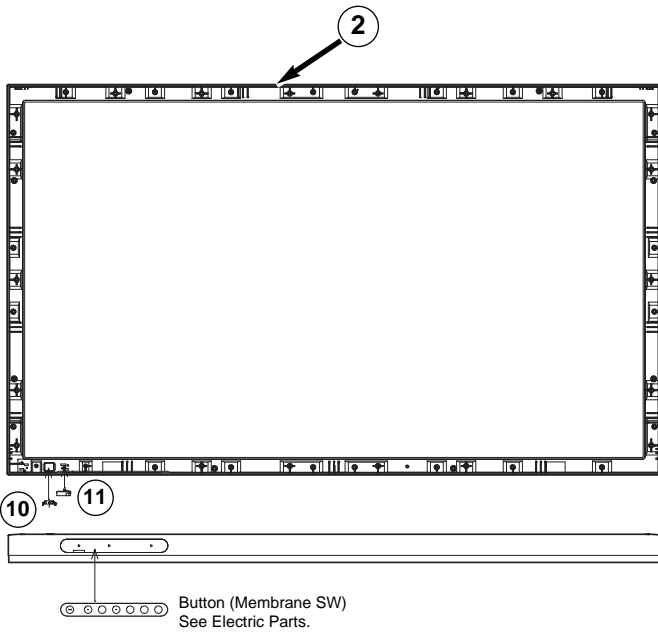
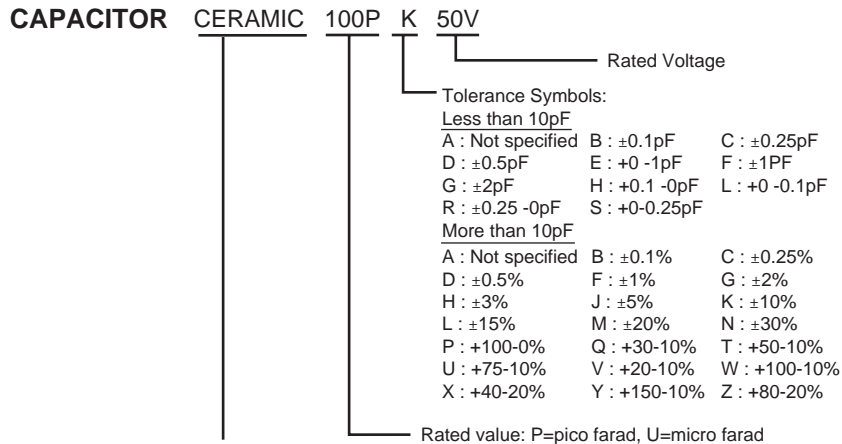


Fig. No.	Part No.	Description	Part No.	Description
MECHANICAL PARTS			ACCESSORY	
1	610 305 4827	ASSY,CABINET BACK-J3TF	645 059 8050	ASSY,REMOCON JXMZA
2	610 305 2373	CABINET FRONT-J3TF (PDP-42WV1 / PDP-42WV1A)	610 306 2532	RC-BATTERY LID-CXPH
	610 308 6705	CABINET FRONT-J3TG (PDP-42WV1S / PDP-42WV1AS)	645 051 2322	RC CABLE,FXAF
3	610 306 3508	COVER-J3TF	645 023 4958	CORE,CLAMP
4	610 308 6378	COVER SHEET-J3TF	△ 645 054 1162	CORD,POWER-3.0MK (US)
5	610 305 4353	HANDLE L-J3TF	△ 645 054 1155	CORD,POWER-3.0MK (EU, ASIA)
6	610 305 4360	HANDLE R-J3TF	△ 645 054 1148	CORD,POWER-3.138MK (UK)
7	610 305 7422	DEC SHEET-J3TF	OWNERS MANUAL	
8	610 305 7439	DEC SHEET R-J3TF	610 305 7934	OWNERS MANUAL-J3TF (English)
9	610 305 7446	DEC SHEET AC IN-J3TF	610 305 7941	OWNERS MANUAL-J3TF-D (Germany)
10	610 305 2427	DEC INLAY-J3TF	610 305 7958	OWNERS MANUAL-J3TF-F (French)
11	610 305 2410	DEC IND-J3TF	610 305 7965	OWNERS MANUAL-J3TF-I (Italian)
			610 305 7972	OWNERS MANUAL-J3TF-E (Spanish)

Electrical Parts List

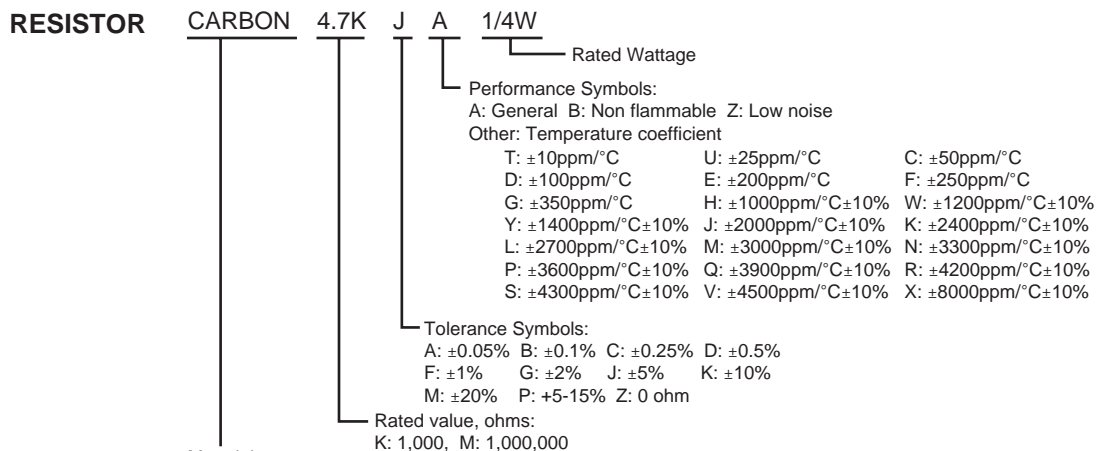
Product safety should be considered when a component replacement is made in any area of a PDP monitor. Components indicated by a Δ mark in this parts list and the circuit diagram show components whose value have special significance to product safety. It is particularly recommended that only parts specified on the following parts list be used for components replacement pointed out by the mark.

● Read Description in the parts list



Material:

- CERAMIC..... Ceramic
- MT-PAPER..... Metallized Paper
- POLYESTER..... Polyester
- MT-POLYEST..... Metallized Polyester
- POLYPRO..... Polypropylene
- MT-POLYPRO.... Metallized Polypropylene
- COMPO FILM..... Composite film
- MT-COMPO..... Metallized Composite
- STYRENE..... Styrene
- TA-SOLID..... Tantalum Oxide Solid Electrolytic
- AL-SOLID..... Aluminium Solid Electrolytic
- ELECT..... Aluminum Foil Electrolytic
- NP-ELECT..... Non-polarised Electrolytic
- OS-SOLID..... Aluminium Solid with Organic Semiconductive Electrolytic
- POS-SOLID..... Polymerized Organic Semiconductive
- DL-ELECT..... Double Layered Electrolytic
- PPS-FILM..... Polyphenylene Sulfide Film
- MT-PPS-FILM.... Metalized Polyphenylene Sulfide Film
- MT-PEN-FILM.... Metalized Polyethylenenaphthalate Film
- CAPACITOR..... Other



Material:

- CARBON..... Carbon
- MT-FILM..... Metal Film
- OXIDE-MT..... Oxide Metal Film
- SOLID..... Composition
- MT-GLAZE..... Metal Glaze
- WIRE WOUND... Wire Wound
- CERAMIC RES.. Ceramic
- FUSIBLE RES.... Fusible
- RESISTOR Other

Electrical Parts List

Key No.	Part No.	Description	Key No.	Part No.	Description
MISCELLANEOUS					
△ EL901	645 059 6131	PDP MODULE	Q1712	405 014 4509	TR 2SC2412K T146 R
(For PDP-42WV1 / PDP-42WV1S)				405 014 4608	TR 2SC2412K T146 S
△ EL901	645 059 5424	PDP MODULE		405 015 8704	TR 2SC2812-L6-TB
(For PDP-42WV1A / PDP-42WV1AS)				405 015 8902	TR 2SC2812-L7-TB
EL902	645 059 6117	OPTICAL FILTER		405 163 1602	TR 2SC2812N-L6-TB0
△ FN901	645 057 8649	MOTOR,FAN DC 1.8W		405 163 1701	TR 2SC2812N-L7-TB0
△ FN903	645 062 2458	MOTOR,FAN DC 0.744W		405 173 9803	TR 2SC3928A1R
M901	610 305 6487	BUTTON-42-J3TF (MENBRANE SW)	Q1713	405 173 9902	TR 2SC3928A1S
(For PDP-42WV1 / PDP-42WV1A)				405 014 4509	TR 2SC2412K T146 R
M901	610 308 1120	BUTTON-42-J3TA (MENBRANE SW)		405 014 4608	TR 2SC2412K T146 S
(For PDP-42WV1S / PDP-42WV1AS)				405 015 8704	TR 2SC2812-L6-TB
SPL	645 061 8086	SPEAKER TERMINAL,BOARD		405 015 8902	TR 2SC2812-L7-TB
SPR	645 061 8086	SPEAKER TERMINAL,BOARD	Q1714	405 163 1602	TR 2SC2812N-L6-TB0
W7V-D1	610 305 9235	CORD 21P 1.25MM(LVDS CABLE)		405 163 1701	TR 2SC2812N-L7-TB0
610 305 0775 ASSY,PWB,MAIN-J3TF 1AA0B10N04000				405 173 9803	TR 2SC3928A1R
TRANSISTOR				405 173 9902	TR 2SC3928A1S
Q101	405 014 4509	TR 2SC2412K T146 R	Q1715	405 014 4509	TR 2SC2412K T146 R
	405 014 4608	TR 2SC2412K T146 S		405 014 4608	TR 2SC2412K T146 S
	405 015 8704	TR 2SC2812-L6-TB		405 015 8704	TR 2SC2812-L6-TB
	405 015 8902	TR 2SC2812-L7-TB		405 015 8902	TR 2SC2812-L7-TB
	405 163 1602	TR 2SC2812N-L6-TB0		405 163 1602	TR 2SC2812N-L6-TB0
	405 163 1701	TR 2SC2812N-L7-TB0		405 163 1701	TR 2SC2812N-L7-TB0
	405 173 9803	TR 2SC3928A1R		405 173 9803	TR 2SC3928A1R
	405 173 9902	TR 2SC3928A1S		405 173 9902	TR 2SC3928A1S
Q131	405 014 4509	TR 2SC2412K T146 R	Q1716	405 014 4509	TR 2SC2412K T146 R
	405 014 4608	TR 2SC2412K T146 S		405 014 4608	TR 2SC2412K T146 S
	405 015 8704	TR 2SC2812-L6-TB		405 015 8704	TR 2SC2812-L6-TB
	405 015 8902	TR 2SC2812-L7-TB		405 015 8902	TR 2SC2812-L7-TB
	405 163 1602	TR 2SC2812N-L6-TB0		405 163 1602	TR 2SC2812N-L6-TB0
	405 163 1701	TR 2SC2812N-L7-TB0		405 163 1701	TR 2SC2812N-L7-TB0
	405 173 9803	TR 2SC3928A1R		405 173 9803	TR 2SC3928A1R
	405 173 9902	TR 2SC3928A1S		405 173 9902	TR 2SC3928A1S
Q132	405 014 4509	TR 2SC2412K T146 R	Q1717	405 014 4509	TR 2SC2412K T146 R
	405 014 4608	TR 2SC2412K T146 S		405 014 4608	TR 2SC2412K T146 S
	405 015 8704	TR 2SC2812-L6-TB		405 015 8704	TR 2SC2812-L6-TB
	405 015 8902	TR 2SC2812-L7-TB		405 015 8902	TR 2SC2812-L7-TB
	405 163 1602	TR 2SC2812N-L6-TB0		405 163 1602	TR 2SC2812N-L6-TB0
	405 163 1701	TR 2SC2812N-L7-TB0		405 163 1701	TR 2SC2812N-L7-TB0
	405 173 9803	TR 2SC3928A1R		405 173 9803	TR 2SC3928A1R
	405 173 9902	TR 2SC3928A1S		405 173 9902	TR 2SC3928A1S
Q133	405 014 4509	TR 2SC2412K T146 R	Q1771	405 014 4509	TR 2SC2412K T146 R
	405 014 4608	TR 2SC2412K T146 S		405 014 4608	TR 2SC2412K T146 S
	405 015 8704	TR 2SC2812-L6-TB		405 015 8704	TR 2SC2812-L6-TB
	405 015 8902	TR 2SC2812-L7-TB		405 015 8902	TR 2SC2812-L7-TB
	405 163 1602	TR 2SC2812N-L6-TB0		405 163 1602	TR 2SC2812N-L6-TB0
	405 163 1701	TR 2SC2812N-L7-TB0		405 163 1701	TR 2SC2812N-L7-TB0
	405 173 9803	TR 2SC3928A1R		405 173 9803	TR 2SC3928A1R
	405 173 9902	TR 2SC3928A1S		405 173 9902	TR 2SC3928A1S
Q134	405 014 4509	TR 2SC2412K T146 R	Q1772	405 014 4509	TR 2SC2412K T146 R
	405 014 4608	TR 2SC2412K T146 S		405 014 4608	TR 2SC2412K T146 S
	405 015 8704	TR 2SC2812-L6-TB		405 015 8704	TR 2SC2812-L6-TB
	405 015 8902	TR 2SC2812-L7-TB		405 015 8902	TR 2SC2812-L7-TB
	405 163 1602	TR 2SC2812N-L6-TB0		405 163 1602	TR 2SC2812N-L6-TB0
	405 163 1701	TR 2SC2812N-L7-TB0		405 163 1701	TR 2SC2812N-L7-TB0
	405 173 9803	TR 2SC3928A1R		405 173 9803	TR 2SC3928A1R
	405 173 9902	TR 2SC3928A1S		405 173 9902	TR 2SC3928A1S
Q1601	405 151 2000	TR FSS134-TL	Q1773	405 014 4509	TR 2SC2412K T146 R
Q1711	405 134 5905	TR 2SA1037AK-T146-R		405 014 4608	TR 2SC2412K T146 S
	405 147 2205	TR 2SA1037AK-S-T146		405 015 8704	TR 2SC2812-L6-TB
	405 002 0308	TR 2SA1037K T146 R		405 015 8902	TR 2SC2812-L7-TB
	405 002 0407	TR 2SA1037K T146 S		405 163 1602	TR 2SC2812N-L6-TB0
	405 002 6706	TR 2SA1179-M6-TB		405 163 1701	TR 2SC2812N-L7-TB0
	405 002 6904	TR 2SA1179-M7-TB		405 173 9803	TR 2SC3928A1R
	405 163 1503	TR 2SA1179N-M6-TB		405 173 9902	TR 2SC3928A1S
	405 163 2708	TR 2SA1179N-M7-TB	Q1774	405 014 4509	TR 2SC2412K T146 R
	405 173 9605	TR 2SA1235A1E		405 014 4608	TR 2SC2412K T146 S
	405 173 9704	TR 2SA1235A1F			

Electrical Parts List

Key No.	Part No.	Description	Key No.	Part No.	Description
	405 015 8704	TR 2SC2812-L6-TB		405 173 9803	TR 2SC3928A1R
	405 015 8902	TR 2SC2812-L7-TB		405 173 9902	TR 2SC3928A1S
	405 163 1602	TR 2SC2812N-L6-TB0	Q804	405 134 5905	TR 2SA1037AK-T146-R
	405 163 1701	TR 2SC2812N-L7-TB0		405 147 2205	TR 2SA1037AK-S-T146
	405 173 9803	TR 2SC3928A1R		405 002 0308	TR 2SA1037K T146 R
Q1851	405 173 9902	TR 2SC3928A1S		405 002 0407	TR 2SA1037K T146 S
	405 148 2907	TR 2SC5103 TL P		405 002 6706	TR 2SA1179-M6-TB
	405 148 3003	TR 2SC5103 TL Q		405 002 6904	TR 2SA1179-M7-TB
Q1853	405 148 2907	TR 2SC5103 TL P		405 163 1503	TR 2SA1179N-M6-TB
	405 148 3003	TR 2SC5103 TL Q		405 163 2708	TR 2SA1179N-M7-TB
Q1854	405 014 4509	TR 2SC2412K T146 R		405 173 9605	TR 2SA1235A1E
	405 014 4608	TR 2SC2412K T146 S		405 173 9704	TR 2SA1235A1F
	405 015 8704	TR 2SC2812-L6-TB	Q891	405 014 4509	TR 2SC2412K T146 R
	405 015 8902	TR 2SC2812-L7-TB		405 014 4608	TR 2SC2412K T146 S
	405 163 1602	TR 2SC2812N-L6-TB0		405 015 8704	TR 2SC2812-L6-TB
	405 163 1701	TR 2SC2812N-L7-TB0		405 015 8902	TR 2SC2812-L7-TB
	405 173 9803	TR 2SC3928A1R		405 163 1602	TR 2SC2812N-L6-TB0
Q1855	405 173 9902	TR 2SC3928A1S		405 163 1701	TR 2SC2812N-L7-TB0
	405 014 4509	TR 2SC2412K T146 R		405 173 9803	TR 2SC3928A1R
	405 014 4608	TR 2SC2412K T146 S		405 173 9902	TR 2SC3928A1S
	405 015 8704	TR 2SC2812-L6-TB			
	405 015 8902	TR 2SC2812-L7-TB	INTEGRATED CIRCUIT		
	405 163 1602	TR 2SC2812N-L6-TB0	IC031	409 526 7409	IC NJW1138M
	405 163 1701	TR 2SC2812N-L7-TB0	IC101	409 539 8004	IC TA2024
	405 173 9803	TR 2SC3928A1R	IC131	409 438 5500	IC TC4052BFT
Q1931	405 173 9902	TR 2SC3928A1S	IC1602	409 550 1404	IC PQ1CY10322P
	405 014 4509	TR 2SC2412K T146 R	IC1603	409 533 3302	IC PQ1CZ41H22P
	405 014 4608	TR 2SC2412K T146 S	IC1604	409 531 6206	IC FA7701V-TE1
	405 015 8704	TR 2SC2812-L6-TB	IC1651	409 416 6406	IC BA033FP-E2
	405 015 8902	TR 2SC2812-L7-TB	IC1711	409 461 7304	IC AD8057ART
	405 163 1602	TR 2SC2812N-L6-TB0	IC1712	409 441 8406	IC LA7217M-T-TRM
	405 163 1701	TR 2SC2812N-L7-TB0	IC1713	409 484 2003	IC BA7078AF-E2
	405 173 9803	TR 2SC3928A1R	IC1714	409 438 5500	IC TC4052BFT
Q1932	405 173 9902	TR 2SC3928A1S	IC1716	409 428 8405	IC TC7WT125FU-TE12L
	405 014 4509	TR 2SC2412K T146 R	IC1717	409 428 8405	IC TC7WT125FU-TE12L
	405 014 4608	TR 2SC2412K T146 S	IC1761	410 358 1503	IC TC74HC4053AFT(EL)
	405 015 8704	TR 2SC2812-L6-TB	IC1771	409 501 0906	IC BA7657F
	405 015 8902	TR 2SC2812-L7-TB	IC1851	409 039 6609	IC NJM2904-T2
	405 163 1602	TR 2SC2812N-L6-TB0	IC1881	409 431 7808	IC RTC-4574JE
	405 163 1701	TR 2SC2812N-L7-TB0	IC1882	409 496 9601	IC PST600IM
	405 173 9803	TR 2SC3928A1R	IC1941	409 428 8405	IC TC7WT125FU-TE12L
Q3101	405 173 9902	TR 2SC3928A1S	IC3001	409 547 6306	IC PW181-10V
Q3102	405 045 8705	TR 2SK536-TB	IC3002	410 346 8804	IC TC74LCX574FT
Q4101	405 079 1505	TR 2SC4269-4-TB	IC3003	410 346 8804	IC TC74LCX574FT
Q4102	405 079 1505	TR 2SC4269-4-TB	IC307A	410 354 3808	IC MBM29LV800TA-90PFTN
Q4103	405 079 1505	TR 2SC4269-4-TB	IC3101	410 362 6501	IC TC74LCX541FT
Q751	405 045 8705	TR 2SK536-TB	IC3102	409 533 6006	IC 24LC32AT-I/SN
Q752	405 045 8705	TR 2SK536-TB	IC3103	409 480 1307	IC PST573IM
Q753	405 045 8705	TR 2SK536-TB	IC3104	409 458 2305	IC TC7SZ32FU-TE85L
Q801	405 014 4509	TR 2SC2412K T146 R	IC3141	410 497 9200	IC MBM29LV800TA90NC205A
	405 014 4608	TR 2SC2412K T146 S	IC3142	410 397 0406	IC IC61LV6416-15T
	405 015 8704	TR 2SC2812-L6-TB	IC3151	409 536 9301	IC CD4051BPW
	405 015 8902	TR 2SC2812-L7-TB		409 439 5509	IC TC4051BFT
	405 163 1602	TR 2SC2812N-L6-TB0	IC3152	409 428 7101	IC AV9155C
	405 163 1701	TR 2SC2812N-L7-TB0	IC3153	409 487 5704	IC TC7SZ125FU
	405 173 9803	TR 2SC3928A1R	IC3154	409 501 9107	IC ICS512MT
Q802	405 173 9902	TR 2SC3928A1S	IC4101	410 353 1805	IC AD9884AKS-140
	405 134 5905	TR 2SA1037AK-T146-R	IC4102	409 448 5903	IC BD6111FV-E2
	405 147 2205	TR 2SA1037AK-S-T146	IC4104	409 461 7304	IC AD8057ART
	405 002 0308	TR 2SA1037K T146 R	IC4106	409 461 7304	IC AD8057ART
	405 002 0407	TR 2SA1037K T146 S	IC4107	409 461 7304	IC AD8057ART
	405 002 6706	TR 2SA1179-M6-TB	IC4108	409 448 5903	IC BD6111FV-E2
	405 002 6904	TR 2SA1179-M7-TB	IC4109	409 416 6406	IC BA033FP-E2
	405 163 1503	TR 2SA1179N-M6-TB	IC5001	409 528 6608	IC LC749400W
	405 163 2708	TR 2SA1179N-M7-TB	IC5002	409 462 2308	IC TC7SZ04FU-TE852
	405 173 9605	TR 2SA1235A1E	IC5003	409 496 9601	IC PST600IM
Q803	405 173 9704	TR 2SA1235A1F	IC5004	409 439 8906	IC TC7WH125FU
	405 014 4509	TR 2SC2412K T146 R	IC5006	410 348 7409	IC TC74LCX125FT(EL)
	405 014 4608	TR 2SC2412K T146 S	IC5007	410 348 7409	IC TC74LCX125FT(EL)
	405 015 8704	TR 2SC2812-L6-TB	IC5008	409 416 6406	IC BA033FP-E2
	405 015 8902	TR 2SC2812-L7-TB	IC5009	409 499 1701	IC PQ025EZ01ZP
	405 163 1602	TR 2SC2812N-L6-TB0		409 461 7700	IC PQ2TZ15
	405 163 1701	TR 2SC2812N-L7-TB0	IC5101	409 528 6608	IC LC749400W

Electrical Parts List

Key No.	Part No.	Description	Key No.	Part No.	Description
IC5102	410 348 7409	IC TC74LCX125FT(EL)	C127	403 348 5803	CERAMIC 0.47U K 10V
IC5103	410 348 7409	IC TC74LCX125FT(EL)	C128	403 348 5803	CERAMIC 0.47U K 10V
IC5104	409 462 2308	IC TC7SZ04FU-TE852	C129	403 164 0204	CERAMIC 0.1U Z 25V
IC5106	409 416 6406	IC BA033FP-E2	C130	403 164 0204	CERAMIC 0.1U Z 25V
IC5107	409 499 1701	IC PQ025EZ01ZP	C131	403 342 3300	CERAMIC 0.1U K 25V
	409 461 7700	IC PQ2TZ15	C132	403 345 6605	CERAMIC 1U M 10V
IC5108	409 496 9601	IC PST600IM	C133	403 164 0204	CERAMIC 0.1U Z 25V
IC701	410 423 7201	IC THC63LVDM83R	C134	401 105 7909	MT-GLAZE 0.000 ZA 1/16W
IC751	409 438 5609	IC TC74ACT08FT	C135	401 105 7909	MT-GLAZE 0.000 ZA 1/16W
IC752	409 432 9108	IC TC74LCX08FT-(EL)	C136	403 304 2105	ELECT 47U M 6.3V
IC753	410 482 1202	IC TC74LCX573FT	C137	403 149 9208	CERAMIC 0.01U Z 50V
IC8001	409 533 4804	IC TE7780	C1601	403 149 9208	CERAMIC 0.01U Z 50V
IC8002	409 462 2308	IC TC7SZ04FU-TE852	C1608	403 378 3008	ELECT 330U M 35V
IC801	410 497 9408	IC M30624FGAFP-C207B	C1609	403 378 3008	ELECT 330U M 35V
IC801A	409 536 3804	IC M30624FGAFP	C1611	403 164 0204	CERAMIC 0.1U Z 25V
IC802	409 325 4203	IC PST600DMT	C1612	403 343 3408	ELECT 10U M 25V
IC803	409 152 5404	IC TC7S08F-TE85L	C1613	403 224 7006	CERAMIC 0.047U Z 50V
IC804	409 392 7503	IC 24LC08BT/SN	C1614	403 378 3008	ELECT 330U M 35V
IC806	410 358 1503	IC TC74HC4053AFT(EL)	C1615	403 343 4900	ELECT 470U M 25V
IC807	409 155 8006	IC TC7S04F-TE85L	C1621	403 286 8201	ELECT 1000U M 6.3V
IC8071	409 546 9803	IC PQ015EZ01ZP	C1627	403 164 0204	CERAMIC 0.1U Z 25V
IC8072	409 499 1701	IC PQ025EZ01ZP	C1636	403 378 3008	ELECT 330U M 35V
	409 461 7700	IC PQ2TZ15	C1637	403 164 0204	CERAMIC 0.1U Z 25V
IC8073	409 416 6406	IC BA033FP-E2	C1638	403 378 2209	ELECT 470U M 25V
IC8101	410 321 8300	IC TC74VCX16244FT	C1641	403 378 2209	ELECT 470U M 25V
IC8102	410 321 8300	IC TC74VCX16244FT	C1642	403 378 2209	ELECT 470U M 25V
IC8103	410 321 8300	IC TC74VCX16244FT	C1643	403 208 0702	TA-SOLID 4.7U M 16V
IC8402	410 358 1503	IC TC74HC4053AFT(EL)	C1644	403 164 0204	CERAMIC 0.1U Z 25V
IC8421	409 438 5609	IC TC74ACT08FT	C1646	403 113 3805	CERAMIC 1000P K 50V
IC8422	409 432 9108	IC TC74LCX08FT-(EL)	C1647	403 377 1500	ELECT 1000U M 10V
			C1648	403 164 0204	CERAMIC 0.1U Z 25V
			C1651	403 164 0204	CERAMIC 0.1U Z 25V
			C1652	403 334 8603	ELECT 220U M 6.3V
			C1653	403 334 8603	ELECT 220U M 6.3V
			C1654	403 164 0204	CERAMIC 0.1U Z 25V
			C1711	403 283 6309	CERAMIC 1U Z 10V
				403 309 1400	CERAMIC 1U Z 10V
				403 336 5600	CERAMIC 1U Z 10V
			C1712	403 164 0204	CERAMIC 0.1U Z 25V
			C1713	403 334 8603	ELECT 220U M 6.3V
			C1715	403 266 8207	NP-ELECT 10U M 16V
			C1716	403 304 2105	ELECT 47U M 6.3V
			C1718	403 164 0204	CERAMIC 0.1U Z 25V
			C1719	403 283 6309	CERAMIC 1U Z 10V
				403 309 1400	CERAMIC 1U Z 10V
				403 336 5600	CERAMIC 1U Z 10V
			C1720	403 283 6309	CERAMIC 1U Z 10V
				403 309 1400	CERAMIC 1U Z 10V
				403 336 5600	CERAMIC 1U Z 10V
			C1721	403 345 6605	CERAMIC 1U M 10V
			C1722	403 215 2201	CERAMIC 0.01U K 50V
			C1723	403 334 8603	ELECT 220U M 6.3V
			C1724	403 237 8700	CERAMIC 0.056U Z 50V
			C1725	403 267 0606	NP-ELECT 4.7U M 16V
			C1726	403 205 2808	CERAMIC 0.047U K 25V
			C1727	403 314 5905	CERAMIC 0.47U K 16V
			C1728	403 345 6605	CERAMIC 1U M 10V
			C1729	403 323 8805	CERAMIC 2.2U Z 16V
				403 255 7907	CERAMIC 2.2U Z 16V
			C1730	403 345 6605	CERAMIC 1U M 10V
			C1731	403 157 6909	CERAMIC 820P K 50V
			C1732	403 224 6603	CERAMIC 0.022U Z 50V
			C1733	403 157 3601	CERAMIC 100P J 50V
			C1734	403 164 0204	CERAMIC 0.1U Z 25V
			C1735	403 334 8603	ELECT 220U M 6.3V
			C1736	403 164 0204	CERAMIC 0.1U Z 25V
			C1737	403 164 0204	CERAMIC 0.1U Z 25V
			C1740	403 149 9208	CERAMIC 0.01U Z 50V
			C1741	403 164 0204	CERAMIC 0.1U Z 25V
			C1742	403 164 0204	CERAMIC 0.1U Z 25V
			C1752	403 149 9208	CERAMIC 0.01U Z 50V
			C1754	403 149 9208	CERAMIC 0.01U Z 50V
			C1756	403 149 9208	CERAMIC 0.01U Z 50V
			C1758	403 149 9208	CERAMIC 0.01U Z 50V
CAPACITOR					
C009	403 267 0606	NP-ELECT 4.7U M 16V			
C010	403 267 0606	NP-ELECT 4.7U M 16V			
C031	403 164 0204	CERAMIC 0.1U Z 25V			
C032	403 377 1500	ELECT 1000U M 10V			
C033	403 338 2300	ELECT 4.7U M 35V			
C034	403 338 2300	ELECT 4.7U M 35V			
C035	403 338 2300	ELECT 4.7U M 35V			
C036	403 338 2300	ELECT 4.7U M 35V			
C037	403 342 3300	CERAMIC 0.1U K 25V			
C038	403 338 2300	ELECT 4.7U M 35V			
C039	403 338 2300	ELECT 4.7U M 35V			
C040	403 342 3300	CERAMIC 0.1U K 25V			
C041	403 342 3300	CERAMIC 0.1U K 25V			
C042	403 342 3300	CERAMIC 0.1U K 25V			
C043	403 155 2309	CERAMIC 4700P K 50V			
C044	403 155 2309	CERAMIC 4700P K 50V			
C045	403 267 0606	NP-ELECT 4.7U M 16V			
C046	403 267 0606	NP-ELECT 4.7U M 16V			
C047	403 267 0606	NP-ELECT 4.7U M 16V			
C048	403 267 0606	NP-ELECT 4.7U M 16V			
C101	403 342 3300	CERAMIC 0.1U K 25V			
C102	403 345 6605	CERAMIC 1U M 10V			
C104	403 155 2200	CERAMIC 3300P K 50V			
C105	403 346 8509	ELECT 680U M 16V			
C107	403 348 5803	CERAMIC 0.47U K 10V			
C108	403 348 5803	CERAMIC 0.47U K 10V			
C109	403 325 6304	CERAMIC 0.22U K 10V			
C110	403 321 7404	ELECT 100U M 16V			
C111	403 325 6304	CERAMIC 0.22U K 10V			
C112	403 164 0204	CERAMIC 0.1U Z 25V			
C114	403 345 6605	CERAMIC 1U M 10V			
C115	403 164 0204	CERAMIC 0.1U Z 25V			
C116	403 348 5803	CERAMIC 0.47U K 10V			
C117	403 348 5803	CERAMIC 0.47U K 10V			
C119	403 345 6605	CERAMIC 1U M 10V			
C120	403 155 2200	CERAMIC 3300P K 50V			
C121	403 164 0204	CERAMIC 0.1U Z 25V			
C122	403 348 5803	CERAMIC 0.47U K 10V			
C123	403 348 5803	CERAMIC 0.47U K 10V			
C124	403 325 6304	CERAMIC 0.22U K 10V			
C125	403 325 6304	CERAMIC 0.22U K 10V			
C126	403 164 0204	CERAMIC 0.1U Z 25V			

Electrical Parts List

Key No.	Part No.	Description	Key No.	Part No.	Description
C1760	403 149 9208	CERAMIC 0.01U Z 50V	C3142	403 330 7709	ELECT 47U M 25V
C1762	403 149 9208	CERAMIC 0.01U Z 50V	C3143	403 164 0204	CERAMIC 0.1U Z 25V
C1763	403 164 0204	CERAMIC 0.1U Z 25V	C3144	403 164 0204	CERAMIC 0.1U Z 25V
C1764	403 286 8201	ELECT 1000U M 6.3V	C3151	403 157 2505	CERAMIC 27P J 50V
C1765	403 149 9208	CERAMIC 0.01U Z 50V	C3155	403 164 0204	CERAMIC 0.1U Z 25V
C1771	403 282 1206	NP-ELECT 22U M 16V	C3156	403 164 0204	CERAMIC 0.1U Z 25V
C1772	403 282 1206	NP-ELECT 22U M 16V	C3157	403 334 8603	ELECT 220U M 6.3V
C1773	403 282 1206	NP-ELECT 22U M 16V	C3158	403 164 0204	CERAMIC 0.1U Z 25V
C1774	403 282 1206	NP-ELECT 22U M 16V	C3159	403 164 0204	CERAMIC 0.1U Z 25V
C1776	403 282 1206	NP-ELECT 22U M 16V	C3163	403 164 0204	CERAMIC 0.1U Z 25V
C1777	403 282 1206	NP-ELECT 22U M 16V	C3164	403 164 0204	CERAMIC 0.1U Z 25V
C1781	403 153 9300	CERAMIC 82P J 50V	C3166	403 164 0204	CERAMIC 0.1U Z 25V
C1782	403 153 9300	CERAMIC 82P J 50V	C3167	403 164 0204	CERAMIC 0.1U Z 25V
C1783	403 153 9300	CERAMIC 82P J 50V	C4101	403 283 6309	CERAMIC 1U Z 10V
C1851	403 343 3408	ELECT 10U M 25V		403 309 1400	CERAMIC 1U Z 10V
C1852	403 164 0204	CERAMIC 0.1U Z 25V		403 336 5600	CERAMIC 1U Z 10V
C1853	403 149 9208	CERAMIC 0.01U Z 50V	C4102	403 283 6309	CERAMIC 1U Z 10V
C1855	403 149 9208	CERAMIC 0.01U Z 50V		403 309 1400	CERAMIC 1U Z 10V
C1856	403 321 7503	ELECT 220U M 16V		403 336 5600	CERAMIC 1U Z 10V
C1858	403 321 7503	ELECT 220U M 16V	C4103	403 164 0204	CERAMIC 0.1U Z 25V
C1881	403 343 3408	ELECT 10U M 25V	C4105	403 345 6605	CERAMIC 1U M 10V
C1882	403 164 0204	CERAMIC 0.1U Z 25V	C4106	403 164 0204	CERAMIC 0.1U Z 25V
C1885	403 164 0204	CERAMIC 0.1U Z 25V	C4108	403 345 6605	CERAMIC 1U M 10V
C1887	403 164 0204	CERAMIC 0.1U Z 25V	C4109	403 164 0204	CERAMIC 0.1U Z 25V
C1932	403 343 3408	ELECT 10U M 25V	C4111	403 345 6605	CERAMIC 1U M 10V
C1941	403 343 3408	ELECT 10U M 25V	C4112	403 283 6309	CERAMIC 1U Z 10V
C1942	403 164 0204	CERAMIC 0.1U Z 25V		403 309 1400	CERAMIC 1U Z 10V
C3001	403 157 2604	CERAMIC 30P J 50V		403 336 5600	CERAMIC 1U Z 10V
C3002	403 145 9905	CERAMIC 22P J 50V	C4113	403 334 8603	ELECT 220U M 6.3V
C3003	403 164 0204	CERAMIC 0.1U Z 25V	C4114	403 334 8603	ELECT 220U M 6.3V
C3004	403 164 0204	CERAMIC 0.1U Z 25V	C4115	403 315 6802	CERAMIC 4.7U Z 16V
C3005	403 164 0204	CERAMIC 0.1U Z 25V	C4116	403 334 8603	ELECT 220U M 6.3V
C3006	403 164 0204	CERAMIC 0.1U Z 25V	C4117	403 283 6309	CERAMIC 1U Z 10V
C3007	403 164 0204	CERAMIC 0.1U Z 25V		403 309 1400	CERAMIC 1U Z 10V
C3008	403 164 0204	CERAMIC 0.1U Z 25V		403 336 5600	CERAMIC 1U Z 10V
C3009	403 164 0204	CERAMIC 0.1U Z 25V	C4118	403 164 0204	CERAMIC 0.1U Z 25V
C3010	403 164 0204	CERAMIC 0.1U Z 25V	C4119	403 164 0204	CERAMIC 0.1U Z 25V
C3011	403 164 0204	CERAMIC 0.1U Z 25V	C4120	403 321 7404	ELECT 100U M 16V
C3012	403 334 8603	ELECT 220U M 6.3V	C4121	403 283 6309	CERAMIC 1U Z 10V
C3013	403 164 0204	CERAMIC 0.1U Z 25V		403 309 1400	CERAMIC 1U Z 10V
C3014	403 164 0204	CERAMIC 0.1U Z 25V		403 336 5600	CERAMIC 1U Z 10V
C3015	403 164 0204	CERAMIC 0.1U Z 25V	C4122	403 334 8603	ELECT 220U M 6.3V
C3016	403 164 0204	CERAMIC 0.1U Z 25V	C4123	403 164 0204	CERAMIC 0.1U Z 25V
C3017	403 164 0204	CERAMIC 0.1U Z 25V	C4124	403 283 6309	CERAMIC 1U Z 10V
C3018	403 164 0204	CERAMIC 0.1U Z 25V		403 309 1400	CERAMIC 1U Z 10V
C3019	403 164 0204	CERAMIC 0.1U Z 25V		403 336 5600	CERAMIC 1U Z 10V
C3020	403 164 0204	CERAMIC 0.1U Z 25V	C4125	403 283 6309	CERAMIC 1U Z 10V
C3021	403 164 0204	CERAMIC 0.1U Z 25V		403 309 1400	CERAMIC 1U Z 10V
C3022	403 164 0204	CERAMIC 0.1U Z 25V		403 336 5600	CERAMIC 1U Z 10V
C3023	403 164 0204	CERAMIC 0.1U Z 25V	C4126	403 334 8603	ELECT 220U M 6.3V
C3024	403 164 0204	CERAMIC 0.1U Z 25V	C4127	403 164 0204	CERAMIC 0.1U Z 25V
C3025	403 164 0204	CERAMIC 0.1U Z 25V	C4128	403 304 2105	ELECT 47U M 6.3V
C3026	403 164 0204	CERAMIC 0.1U Z 25V	C4129	403 157 3106	CERAMIC 56P J 50V
C3027	403 164 0204	CERAMIC 0.1U Z 25V	C4130	403 157 3106	CERAMIC 56P J 50V
C3028	403 334 8603	ELECT 220U M 6.3V	C4131	403 157 3106	CERAMIC 56P J 50V
C3029	403 164 0204	CERAMIC 0.1U Z 25V	C4132	403 283 6309	CERAMIC 1U Z 10V
C3030	403 164 0204	CERAMIC 0.1U Z 25V		403 309 1400	CERAMIC 1U Z 10V
C3031	403 164 0204	CERAMIC 0.1U Z 25V		403 336 5600	CERAMIC 1U Z 10V
C3032	403 164 0204	CERAMIC 0.1U Z 25V	C4133	403 283 6309	CERAMIC 1U Z 10V
C3033	403 164 0204	CERAMIC 0.1U Z 25V		403 309 1400	CERAMIC 1U Z 10V
C3034	403 334 8603	ELECT 220U M 6.3V		403 336 5600	CERAMIC 1U Z 10V
C3035	403 164 0204	CERAMIC 0.1U Z 25V	C4134	403 315 6802	CERAMIC 4.7U Z 16V
C3036	403 164 0204	CERAMIC 0.1U Z 25V	C4135	403 334 8603	ELECT 220U M 6.3V
C3037	403 164 0204	CERAMIC 0.1U Z 25V	C4136	403 283 6309	CERAMIC 1U Z 10V
C3038	403 164 0204	CERAMIC 0.1U Z 25V		403 309 1400	CERAMIC 1U Z 10V
C3101	403 164 0204	CERAMIC 0.1U Z 25V		403 336 5600	CERAMIC 1U Z 10V
C3102	403 164 0204	CERAMIC 0.1U Z 25V	C4137	403 164 0204	CERAMIC 0.1U Z 25V
C3103	403 283 6309	CERAMIC 1U Z 10V	C4138	403 334 8603	ELECT 220U M 6.3V
	403 309 1400	CERAMIC 1U Z 10V	C4139	401 105 7909	MT-GLAZE 0.000 ZA 1/16W
	403 336 5600	CERAMIC 1U Z 10V	C4140	401 105 7909	MT-GLAZE 0.000 ZA 1/16W
C3104	403 343 3408	ELECT 10U M 25V	C4141	401 105 7909	MT-GLAZE 0.000 ZA 1/16W
C3105	403 164 0204	CERAMIC 0.1U Z 25V	C4142	403 334 8603	ELECT 220U M 6.3V
C3106	403 164 0204	CERAMIC 0.1U Z 25V	C4143	403 157 3601	CERAMIC 100P J 50V
C3141	403 334 8603	ELECT 220U M 6.3V	C4144	403 164 0204	CERAMIC 0.1U Z 25V

Electrical Parts List

Key No.	Part No.	Description	Key No.	Part No.	Description
C4145	403 157 3601	CERAMIC 100P J 50V	C5123	403 334 8603	ELECT 220U M 6.3V
C4146	403 157 3601	CERAMIC 100P J 50V	C5124	403 164 0204	CERAMIC 0.1U Z 25V
C4147	403 164 0204	CERAMIC 0.1U Z 25V	C701	403 149 9208	CERAMIC 0.01U Z 50V
C4148	403 164 0204	CERAMIC 0.1U Z 25V	C702	403 164 0204	CERAMIC 0.1U Z 25V
C4149	403 164 0204	CERAMIC 0.1U Z 25V	C703	403 321 7404	ELECT 100U M 16V
C4150	403 164 0204	CERAMIC 0.1U Z 25V	C704	403 164 0204	CERAMIC 0.1U Z 25V
C4151	403 164 0204	CERAMIC 0.1U Z 25V	C705	403 149 9208	CERAMIC 0.01U Z 50V
C4152	403 343 3408	ELECT 10U M 25V	C706	403 164 0204	CERAMIC 0.1U Z 25V
C4153	403 164 0204	CERAMIC 0.1U Z 25V	C707	403 149 9208	CERAMIC 0.01U Z 50V
C4154	403 343 3408	ELECT 10U M 25V	C708	403 149 9208	CERAMIC 0.01U Z 50V
C4155	403 164 0204	CERAMIC 0.1U Z 25V	C709	403 164 0204	CERAMIC 0.1U Z 25V
C4157	403 298 9609	CERAMIC 0.1U K 16V	C710	403 164 0204	CERAMIC 0.1U Z 25V
C4158	403 215 2201	CERAMIC 0.01U K 50V	C712	403 164 0204	CERAMIC 0.1U Z 25V
C4159	403 164 0204	CERAMIC 0.1U Z 25V	C713	403 321 7404	ELECT 100U M 16V
C4160	403 164 0204	CERAMIC 0.1U Z 25V	C714	403 321 7404	ELECT 100U M 16V
C4161	403 298 9609	CERAMIC 0.1U K 16V	C751	403 283 6309	CERAMIC 1U Z 10V
C4162	403 298 9609	CERAMIC 0.1U K 16V		403 309 1400	CERAMIC 1U Z 10V
C4163	403 164 0204	CERAMIC 0.1U Z 25V		403 336 5600	CERAMIC 1U Z 10V
C4164	403 164 0204	CERAMIC 0.1U Z 25V	C752	403 283 6309	CERAMIC 1U Z 10V
C4165	403 164 0204	CERAMIC 0.1U Z 25V		403 309 1400	CERAMIC 1U Z 10V
C4166	403 164 0204	CERAMIC 0.1U Z 25V		403 336 5600	CERAMIC 1U Z 10V
C4167	403 164 0204	CERAMIC 0.1U Z 25V	C753	403 283 6309	CERAMIC 1U Z 10V
C4168	403 164 0204	CERAMIC 0.1U Z 25V		403 309 1400	CERAMIC 1U Z 10V
C4169	403 164 0204	CERAMIC 0.1U Z 25V		403 336 5600	CERAMIC 1U Z 10V
C5001	403 334 8603	ELECT 220U M 6.3V	C8001	403 164 0204	CERAMIC 0.1U Z 25V
C5002	403 164 0204	CERAMIC 0.1U Z 25V	C8003	403 164 0204	CERAMIC 0.1U Z 25V
C5003	403 164 0204	CERAMIC 0.1U Z 25V	C8004	403 164 0204	CERAMIC 0.1U Z 25V
C5004	403 164 0204	CERAMIC 0.1U Z 25V	C8005	403 334 8603	ELECT 220U M 6.3V
C5005	403 164 0204	CERAMIC 0.1U Z 25V	C8006	403 164 0204	CERAMIC 0.1U Z 25V
C5006	403 164 0204	CERAMIC 0.1U Z 25V	C8007	403 164 0204	CERAMIC 0.1U Z 25V
C5007	403 164 0204	CERAMIC 0.1U Z 25V	C8008	403 145 9905	CERAMIC 22P J 50V
C5008	403 283 6309	CERAMIC 1U Z 10V	C8009	403 139 7108	CERAMIC 12P J 50V
	403 309 1400	CERAMIC 1U Z 10V	C801	403 113 4109	CERAMIC 2200P K 50V
	403 336 5600	CERAMIC 1U Z 10V	C802	403 321 7404	ELECT 100U M 16V
C5009	403 164 0204	CERAMIC 0.1U Z 25V	C803	403 149 9208	CERAMIC 0.01U Z 50V
C5011	403 157 3601	CERAMIC 100P J 50V	C804	403 283 6309	CERAMIC 1U Z 10V
C5012	403 164 0204	CERAMIC 0.1U Z 25V		403 309 1400	CERAMIC 1U Z 10V
C5013	403 164 0204	CERAMIC 0.1U Z 25V		403 336 5600	CERAMIC 1U Z 10V
C5014	403 164 0204	CERAMIC 0.1U Z 25V	C805	403 283 6309	CERAMIC 1U Z 10V
C5015	403 164 0204	CERAMIC 0.1U Z 25V		403 309 1400	CERAMIC 1U Z 10V
C5016	403 164 0204	CERAMIC 0.1U Z 25V		403 336 5600	CERAMIC 1U Z 10V
C5017	403 164 0204	CERAMIC 0.1U Z 25V	C806	403 164 0204	CERAMIC 0.1U Z 25V
C5018	403 164 0204	CERAMIC 0.1U Z 25V	C807	403 283 6309	CERAMIC 1U Z 10V
C5019	403 164 0204	CERAMIC 0.1U Z 25V		403 309 1400	CERAMIC 1U Z 10V
C5020	403 334 8603	ELECT 220U M 6.3V		403 336 5600	CERAMIC 1U Z 10V
C5021	403 334 8603	ELECT 220U M 6.3V	C8071	403 164 0204	CERAMIC 0.1U Z 25V
C5022	403 334 8603	ELECT 220U M 6.3V	C8072	403 334 8603	ELECT 220U M 6.3V
C5023	403 334 8603	ELECT 220U M 6.3V	C8073	403 164 0204	CERAMIC 0.1U Z 25V
C5024	403 164 0204	CERAMIC 0.1U Z 25V	C8074	403 164 0204	CERAMIC 0.1U Z 25V
C5025	403 164 0204	CERAMIC 0.1U Z 25V	C8075	403 334 8603	ELECT 220U M 6.3V
C5099	403 164 0204	CERAMIC 0.1U Z 25V	C8076	403 334 8603	ELECT 220U M 6.3V
C5101	403 164 0204	CERAMIC 0.1U Z 25V	C8077	403 334 8603	ELECT 220U M 6.3V
C5102	403 164 0204	CERAMIC 0.1U Z 25V	C8078	403 164 0204	CERAMIC 0.1U Z 25V
C5103	403 334 8603	ELECT 220U M 6.3V	C8079	403 334 8603	ELECT 220U M 6.3V
C5104	403 164 0204	CERAMIC 0.1U Z 25V	C808	403 149 9208	CERAMIC 0.01U Z 50V
C5105	403 164 0204	CERAMIC 0.1U Z 25V	C8080	403 334 8603	ELECT 220U M 6.3V
C5106	403 164 0204	CERAMIC 0.1U Z 25V	C8081	403 164 0204	CERAMIC 0.1U Z 25V
C5107	403 164 0204	CERAMIC 0.1U Z 25V	C8082	403 164 0204	CERAMIC 0.1U Z 25V
C5108	403 164 0204	CERAMIC 0.1U Z 25V	C8083	403 334 8603	ELECT 220U M 6.3V
C5109	403 164 0204	CERAMIC 0.1U Z 25V	C8084	403 334 8603	ELECT 220U M 6.3V
C5110	403 283 6309	CERAMIC 1U Z 10V	C8085	403 334 8603	ELECT 220U M 6.3V
	403 309 1400	CERAMIC 1U Z 10V	C8086	403 334 8603	ELECT 220U M 6.3V
	403 336 5600	CERAMIC 1U Z 10V	C8087	403 334 8603	ELECT 220U M 6.3V
C5111	403 164 0204	CERAMIC 0.1U Z 25V	C8088	403 164 0204	CERAMIC 0.1U Z 25V
C5113	403 157 3601	CERAMIC 100P J 50V	C8089	403 164 0204	CERAMIC 0.1U Z 25V
C5114	403 164 0204	CERAMIC 0.1U Z 25V	C809	403 157 1607	CERAMIC 6P D 50V
C5115	403 164 0204	CERAMIC 0.1U Z 25V	C8090	403 164 0204	CERAMIC 0.1U Z 25V
C5116	403 164 0204	CERAMIC 0.1U Z 25V	C8091	403 164 0204	CERAMIC 0.1U Z 25V
C5117	403 164 0204	CERAMIC 0.1U Z 25V	C8092	403 164 0204	CERAMIC 0.1U Z 25V
C5118	403 334 8603	ELECT 220U M 6.3V	C810	403 157 1607	CERAMIC 6P D 50V
C5119	403 164 0204	CERAMIC 0.1U Z 25V	C8101	403 334 8603	ELECT 220U M 6.3V
C5120	403 334 8603	ELECT 220U M 6.3V	C8102	403 164 0204	CERAMIC 0.1U Z 25V
C5121	403 334 8603	ELECT 220U M 6.3V	C8103	403 164 0204	CERAMIC 0.1U Z 25V
C5122	403 164 0204	CERAMIC 0.1U Z 25V	C8104	403 164 0204	CERAMIC 0.1U Z 25V

Electrical Parts List

Key No.	Part No.	Description	Key No.	Part No.	Description
C8105	403 164 0204	CERAMIC 0.1U Z 25V	RB5013	645 037 0670	R-NETWORK 47X4 0.063W
C8106	403 164 0204	CERAMIC 0.1U Z 25V		645 018 8930	R-NETWORK 47X4 1/16W
C8107	403 164 0204	CERAMIC 0.1U Z 25V	RB5014	645 037 0670	R-NETWORK 47X4 0.063W
C8108	403 164 0204	CERAMIC 0.1U Z 25V		645 018 8930	R-NETWORK 47X4 1/16W
C8109	403 164 0204	CERAMIC 0.1U Z 25V	RB5015	645 037 0670	R-NETWORK 47X4 0.063W
C811	403 149 9208	CERAMIC 0.01U Z 50V		645 018 8930	R-NETWORK 47X4 1/16W
C8110	403 164 0204	CERAMIC 0.1U Z 25V	RB5016	645 037 0670	R-NETWORK 47X4 0.063W
C8111	403 164 0204	CERAMIC 0.1U Z 25V		645 018 8930	R-NETWORK 47X4 1/16W
C8112	403 164 0204	CERAMIC 0.1U Z 25V	RB5017	645 037 0670	R-NETWORK 47X4 0.063W
C8113	403 164 0204	CERAMIC 0.1U Z 25V		645 018 8930	R-NETWORK 47X4 1/16W
C812	403 149 9208	CERAMIC 0.01U Z 50V	RB5018	645 037 0670	R-NETWORK 47X4 0.063W
C813	403 149 9208	CERAMIC 0.01U Z 50V		645 018 8930	R-NETWORK 47X4 1/16W
C814	403 113 4109	CERAMIC 2200P K 50V	RB5019	645 037 0670	R-NETWORK 47X4 0.063W
C819	403 164 0204	CERAMIC 0.1U Z 25V		645 018 8930	R-NETWORK 47X4 1/16W
C8401	403 149 9208	CERAMIC 0.01U Z 50V	RB5020	645 037 0670	R-NETWORK 47X4 0.063W
C8421	403 283 6309	CERAMIC 1U Z 10V		645 018 8930	R-NETWORK 47X4 1/16W
	403 309 1400	CERAMIC 1U Z 10V	RB5021	645 037 0670	R-NETWORK 47X4 0.063W
	403 336 5600	CERAMIC 1U Z 10V		645 018 8930	R-NETWORK 47X4 1/16W
C8422	403 283 6309	CERAMIC 1U Z 10V	RB5022	645 037 0670	R-NETWORK 47X4 0.063W
	403 309 1400	CERAMIC 1U Z 10V		645 018 8930	R-NETWORK 47X4 1/16W
	403 336 5600	CERAMIC 1U Z 10V	RB5023	645 037 0670	R-NETWORK 47X4 0.063W
C8423	403 304 2105	ELECT 47U M 6.3V		645 018 8930	R-NETWORK 47X4 1/16W
C851	403 345 6605	CERAMIC 1U M 10V	RB5024	645 037 0670	R-NETWORK 47X4 0.063W
C852	403 345 6605	CERAMIC 1U M 10V		645 018 8930	R-NETWORK 47X4 1/16W
			RB5103	645 037 0656	R-NETWORK 0X4 0.063W
				645 024 7477	R-NETWORK 0X4 1/16W
RESISTOR			RB5104	645 037 0656	R-NETWORK 0X4 0.063W
RB3013	645 037 0663	R-NETWORK 22X4 0.063W		645 024 7477	R-NETWORK 0X4 1/16W
	645 021 4943	R-NETWORK 22X4 1/16W	RB5107	645 037 0656	R-NETWORK 0X4 0.063W
RB3014	645 037 0663	R-NETWORK 22X4 0.063W		645 024 7477	R-NETWORK 0X4 1/16W
	645 021 4943	R-NETWORK 22X4 1/16W	RB5108	645 037 0656	R-NETWORK 0X4 0.063W
RB3015	645 037 0663	R-NETWORK 22X4 0.063W		645 024 7477	R-NETWORK 0X4 1/16W
	645 021 4943	R-NETWORK 22X4 1/16W	RB5111	645 037 0656	R-NETWORK 0X4 0.063W
RB3017	645 037 0663	R-NETWORK 22X4 0.063W		645 024 7477	R-NETWORK 0X4 1/16W
	645 021 4943	R-NETWORK 22X4 1/16W	RB5112	645 037 0656	R-NETWORK 0X4 0.063W
RB3019	645 037 0663	R-NETWORK 22X4 0.063W		645 024 7477	R-NETWORK 0X4 1/16W
	645 021 4943	R-NETWORK 22X4 1/16W	RB5113	645 037 0670	R-NETWORK 47X4 0.063W
RB3021	645 037 0663	R-NETWORK 22X4 0.063W		645 018 8930	R-NETWORK 47X4 1/16W
	645 021 4943	R-NETWORK 22X4 1/16W	RB5114	645 037 0670	R-NETWORK 47X4 0.063W
RB3023	645 037 0663	R-NETWORK 22X4 0.063W		645 018 8930	R-NETWORK 47X4 1/16W
	645 021 4943	R-NETWORK 22X4 1/16W	RB5117	645 037 0670	R-NETWORK 47X4 0.063W
RB3025	645 037 0663	R-NETWORK 22X4 0.063W		645 018 8930	R-NETWORK 47X4 1/16W
	645 021 4943	R-NETWORK 22X4 1/16W	RB5118	645 037 0670	R-NETWORK 47X4 0.063W
RB3027	645 037 0663	R-NETWORK 22X4 0.063W		645 018 8930	R-NETWORK 47X4 1/16W
	645 021 4943	R-NETWORK 22X4 1/16W	RB5121	645 037 0670	R-NETWORK 47X4 0.063W
RB3028	645 037 0663	R-NETWORK 22X4 0.063W		645 018 8930	R-NETWORK 47X4 1/16W
	645 021 4943	R-NETWORK 22X4 1/16W	RB5122	645 037 0670	R-NETWORK 47X4 0.063W
RB3029	645 037 0663	R-NETWORK 22X4 0.063W		645 018 8930	R-NETWORK 47X4 1/16W
	645 021 4943	R-NETWORK 22X4 1/16W	RB8001	645 037 0656	R-NETWORK 0X4 0.063W
RB3030	645 037 0663	R-NETWORK 22X4 0.063W		645 024 7477	R-NETWORK 0X4 1/16W
	645 021 4943	R-NETWORK 22X4 1/16W	RB8002	645 020 7822	R-NETWORK 10KX4 0.063W
RB4101	645 037 0663	R-NETWORK 22X4 0.063W		645 025 5380	R-NETWORK 10KX4 1/16W
	645 021 4943	R-NETWORK 22X4 1/16W	RB8003	645 037 0656	R-NETWORK 0X4 0.063W
RB4102	645 037 0663	R-NETWORK 22X4 0.063W		645 024 7477	R-NETWORK 0X4 1/16W
	645 021 4943	R-NETWORK 22X4 1/16W	RB8004	645 037 0656	R-NETWORK 0X4 0.063W
RB4103	645 037 0663	R-NETWORK 22X4 0.063W		645 024 7477	R-NETWORK 0X4 1/16W
	645 021 4943	R-NETWORK 22X4 1/16W	RB8116	645 037 0670	R-NETWORK 47X4 0.063W
RB4104	645 037 0663	R-NETWORK 22X4 0.063W		645 018 8930	R-NETWORK 47X4 1/16W
	645 021 4943	R-NETWORK 22X4 1/16W	RB8117	645 037 0670	R-NETWORK 47X4 0.063W
RB4105	645 037 0663	R-NETWORK 22X4 0.063W		645 018 8930	R-NETWORK 47X4 1/16W
	645 021 4943	R-NETWORK 22X4 1/16W	RB8118	645 037 0670	R-NETWORK 47X4 0.063W
RB4106	645 037 0663	R-NETWORK 22X4 0.063W		645 018 8930	R-NETWORK 47X4 1/16W
	645 021 4943	R-NETWORK 22X4 1/16W	RB8119	645 037 0670	R-NETWORK 47X4 0.063W
RB4107	645 037 0663	R-NETWORK 22X4 0.063W		645 018 8930	R-NETWORK 47X4 1/16W
	645 021 4943	R-NETWORK 22X4 1/16W	RB8121	645 037 0670	R-NETWORK 47X4 0.063W
RB4108	645 037 0663	R-NETWORK 22X4 0.063W		645 018 8930	R-NETWORK 47X4 1/16W
	645 021 4943	R-NETWORK 22X4 1/16W	RB8122	645 037 0670	R-NETWORK 47X4 0.063W
RB4109	645 037 0663	R-NETWORK 22X4 0.063W		645 018 8930	R-NETWORK 47X4 1/16W
	645 021 4943	R-NETWORK 22X4 1/16W	RB8131	645 037 0670	R-NETWORK 47X4 0.063W
RB4110	645 037 0663	R-NETWORK 22X4 0.063W		645 018 8930	R-NETWORK 47X4 1/16W
	645 021 4943	R-NETWORK 22X4 1/16W	RB8132	645 037 0670	R-NETWORK 47X4 0.063W
RB4111	645 037 0663	R-NETWORK 22X4 0.063W		645 018 8930	R-NETWORK 47X4 1/16W
	645 021 4943	R-NETWORK 22X4 1/16W	RB8133	645 037 0670	R-NETWORK 47X4 0.063W
RB4112	645 037 0663	R-NETWORK 22X4 0.063W		645 018 8930	R-NETWORK 47X4 1/16W
	645 021 4943	R-NETWORK 22X4 1/16W			

Electrical Parts List

Key No.	Part No.	Description	Key No.	Part No.	Description
RB8134	645 037 0670	R-NETWORK 47X4 0.063W	R1621	401 105 7909	MT-GLAZE 0.000 ZA 1/16W
	645 018 8930	R-NETWORK 47X4 1/16W	R1622	401 105 7909	MT-GLAZE 0.000 ZA 1/16W
RB8136	645 037 0670	R-NETWORK 47X4 0.063W	R1625	401 257 7406	MT-GLAZE 120 JA 1/3W
	645 018 8930	R-NETWORK 47X4 1/16W	R1713	401 105 8203	MT-GLAZE 68K JA 1/16W
RB8137	645 037 0670	R-NETWORK 47X4 0.063W	R1714	401 105 0405	MT-GLAZE 100 JA 1/16W
	645 018 8930	R-NETWORK 47X4 1/16W	R1715	401 105 0504	MT-GLAZE 1K JA 1/16W
RB8138	645 037 0670	R-NETWORK 47X4 0.063W	R1716	401 105 6407	MT-GLAZE 68 JA 1/16W
	645 018 8930	R-NETWORK 47X4 1/16W	R1718	401 105 2003	MT-GLAZE 1.8K JA 1/16W
RB8139	645 037 0670	R-NETWORK 47X4 0.063W	R1719	401 105 2003	MT-GLAZE 1.8K JA 1/16W
	645 018 8930	R-NETWORK 47X4 1/16W	R1720	401 105 0405	MT-GLAZE 100 JA 1/16W
RB8141	645 037 0670	R-NETWORK 47X4 0.063W	R1721	401 105 4205	MT-GLAZE 33K JA 1/16W
	645 018 8930	R-NETWORK 47X4 1/16W	R1722	401 105 5400	MT-GLAZE 47K JA 1/16W
RB8142	645 037 0670	R-NETWORK 47X4 0.063W	R1723	401 105 0504	MT-GLAZE 1K JA 1/16W
	645 018 8930	R-NETWORK 47X4 1/16W	R1724	401 105 0504	MT-GLAZE 1K JA 1/16W
RB8143	645 037 0670	R-NETWORK 47X4 0.063W	R1725	401 105 4601	MT-GLAZE 3.9K JA 1/16W
	645 018 8930	R-NETWORK 47X4 1/16W	R1726	401 105 1709	MT-GLAZE 150K JA 1/16W
RB8144	645 037 0670	R-NETWORK 47X4 0.063W	R1727	401 105 7305	MT-GLAZE 820 JA 1/16W
	645 018 8930	R-NETWORK 47X4 1/16W	R1728	401 105 8005	MT-GLAZE 1M JA 1/16W
R014	401 105 7909	MT-GLAZE 0.000 ZA 1/16W	R1729	401 177 2109	MT-GLAZE 4.7M JA 1/16W
R016	401 105 7909	MT-GLAZE 0.000 ZA 1/16W	R1730	401 105 0504	MT-GLAZE 1K JA 1/16W
R017	401 105 7909	MT-GLAZE 0.000 ZA 1/16W	R1731	401 105 0504	MT-GLAZE 1K JA 1/16W
R018	401 105 7909	MT-GLAZE 0.000 ZA 1/16W	R1732	401 105 0504	MT-GLAZE 1K JA 1/16W
R031	401 105 0405	MT-GLAZE 100 JA 1/16W	R1733	401 105 0504	MT-GLAZE 1K JA 1/16W
R032	401 105 7909	MT-GLAZE 0.000 ZA 1/16W	R1734	401 105 2805	MT-GLAZE 2.2K JA 1/16W
R033	401 105 0306	MT-GLAZE 10 JA 1/16W	R1735	401 105 4106	MT-GLAZE 3.3K JA 1/16W
R034	401 105 7909	MT-GLAZE 0.000 ZA 1/16W	R1736	401 105 5400	MT-GLAZE 47K JA 1/16W
R037	401 105 7909	MT-GLAZE 0.000 ZA 1/16W	R1737	401 105 2102	MT-GLAZE 18K JA 1/16W
R038	401 105 7909	MT-GLAZE 0.000 ZA 1/16W	R1738	401 105 4601	MT-GLAZE 3.9K JA 1/16W
R101	401 105 2607	MT-GLAZE 22 JA 1/16W	R1739	401 105 0405	MT-GLAZE 100 JA 1/16W
R102	401 105 2805	MT-GLAZE 2.2K JA 1/16W	R1740	401 105 0405	MT-GLAZE 100 JA 1/16W
R103	401 105 1105	MT-GLAZE 12K JA 1/16W	R1741	401 105 0603	MT-GLAZE 10K JA 1/16W
R106	401 105 3406	MT-GLAZE 27K JA 1/16W	R1742	401 105 4106	MT-GLAZE 3.3K JA 1/16W
R108	401 105 0603	MT-GLAZE 10K JA 1/16W	R1743	401 105 2805	MT-GLAZE 2.2K JA 1/16W
R109	401 105 0504	MT-GLAZE 1K JA 1/16W	R1744	401 105 0504	MT-GLAZE 1K JA 1/16W
R111	401 105 0603	MT-GLAZE 10K JA 1/16W	R1745	401 105 0504	MT-GLAZE 1K JA 1/16W
R112	401 258 9904	MT-GLAZE 10 JA 1/3W	R1746	401 105 7909	MT-GLAZE 0.000 ZA 1/16W
R113	401 105 0603	MT-GLAZE 10K JA 1/16W	R1747	401 105 0405	MT-GLAZE 100 JA 1/16W
R114	401 105 1105	MT-GLAZE 12K JA 1/16W	R1748	401 105 0405	MT-GLAZE 100 JA 1/16W
R116	401 105 3406	MT-GLAZE 27K JA 1/16W	R1749	401 105 7909	MT-GLAZE 0.000 ZA 1/16W
R118	401 105 2805	MT-GLAZE 2.2K JA 1/16W	R1750	401 105 2607	MT-GLAZE 22 JA 1/16W
R119	401 105 7404	MT-GLAZE 8.2K JA 1/16W	R1753	401 105 1501	MT-GLAZE 1.5K JA 1/16W
R121	401 258 9904	MT-GLAZE 10 JA 1/3W	R1755	401 105 7909	MT-GLAZE 0.000 ZA 1/16W
R131	401 105 1105	MT-GLAZE 12K JA 1/16W	R1756	401 105 7909	MT-GLAZE 0.000 ZA 1/16W
R132	401 105 1600	MT-GLAZE 15K JA 1/16W	R1761	401 105 2607	MT-GLAZE 22 JA 1/16W
R133	401 105 3000	MT-GLAZE 220K JA 1/16W	R1762	401 105 1501	MT-GLAZE 1.5K JA 1/16W
R134	401 105 3000	MT-GLAZE 220K JA 1/16W	R1774	401 105 0306	MT-GLAZE 10 JA 1/16W
R135	401 105 3000	MT-GLAZE 220K JA 1/16W	R1775	401 105 0306	MT-GLAZE 10 JA 1/16W
R136	401 105 3000	MT-GLAZE 220K JA 1/16W	R1776	401 105 0306	MT-GLAZE 10 JA 1/16W
R140	401 105 3000	MT-GLAZE 220K JA 1/16W	R1777	401 105 0306	MT-GLAZE 10 JA 1/16W
R141	401 105 5400	MT-GLAZE 47K JA 1/16W	R1778	401 105 0306	MT-GLAZE 10 JA 1/16W
R142	401 105 3000	MT-GLAZE 220K JA 1/16W	R1779	401 105 0306	MT-GLAZE 10 JA 1/16W
R143	401 105 4106	MT-GLAZE 3.3K JA 1/16W	R1780	401 105 7909	MT-GLAZE 0.000 ZA 1/16W
R144	401 105 3000	MT-GLAZE 220K JA 1/16W	R1781	401 105 0306	MT-GLAZE 10 JA 1/16W
R145	401 105 2805	MT-GLAZE 2.2K JA 1/16W	R1782	401 105 0306	MT-GLAZE 10 JA 1/16W
R146	401 105 5400	MT-GLAZE 47K JA 1/16W	R1783	645 050 8363	IMPEDANCE, 60 OHM P
R147	401 105 4106	MT-GLAZE 3.3K JA 1/16W	R1784	645 050 8363	IMPEDANCE, 60 OHM P
R148	401 105 2805	MT-GLAZE 2.2K JA 1/16W	R1786	645 050 8363	IMPEDANCE, 60 OHM P
R151	401 105 0603	MT-GLAZE 10K JA 1/16W	R1787	401 105 0306	MT-GLAZE 10 JA 1/16W
R152	401 105 0603	MT-GLAZE 10K JA 1/16W	R1788	401 105 0306	MT-GLAZE 10 JA 1/16W
R1601	401 202 4009	MT-GLAZE 10K FA 1/16W	R1792	401 105 5301	MT-GLAZE 4.7K JA 1/16W
R1602	401 230 2503	MT-GLAZE 1K FA 1/16W	R1793	401 105 5301	MT-GLAZE 4.7K JA 1/16W
R1603	401 218 4406	MT-GLAZE 1.2K FA 1/16W	R1794	401 105 5301	MT-GLAZE 4.7K JA 1/16W
R1604	401 212 0503	MT-GLAZE 6.8K FA 1/16W	R1795	401 105 5301	MT-GLAZE 4.7K JA 1/16W
R1606	401 212 0404	MT-GLAZE 680 FA 1/16W	R1797	401 105 5400	MT-GLAZE 47K JA 1/16W
R1607	401 218 4406	MT-GLAZE 1.2K FA 1/16W	R1798	401 105 7909	MT-GLAZE 0.000 ZA 1/16W
R1608	401 105 6100	MT-GLAZE 560K JA 1/16W	R1799	401 105 7909	MT-GLAZE 0.000 ZA 1/16W
R1609	401 105 2904	MT-GLAZE 22K JA 1/16W	R1851	401 105 0702	MT-GLAZE 100K JA 1/16W
R1611	401 105 2904	MT-GLAZE 22K JA 1/16W	R1852	401 105 0405	MT-GLAZE 100 JA 1/16W
R1612	401 105 0603	MT-GLAZE 10K JA 1/16W	R1854	401 105 1709	MT-GLAZE 150K JA 1/16W
R1613	401 105 7909	MT-GLAZE 0.000 ZA 1/16W	R1855	401 105 0405	MT-GLAZE 100 JA 1/16W
R1614	401 218 4604	MT-GLAZE 5.6K FA 1/16W	R1856	401 105 0702	MT-GLAZE 100K JA 1/16W
R1616	401 218 4406	MT-GLAZE 1.2K FA 1/16W	R1858	401 105 1709	MT-GLAZE 150K JA 1/16W
R1617	401 225 7605	MT-GLAZE 1 JA 1W	R1859	401 105 0504	MT-GLAZE 1K JA 1/16W
R1619	401 105 7909	MT-GLAZE 0.000 ZA 1/16W	R1861	401 105 0504	MT-GLAZE 1K JA 1/16W

Electrical Parts List

Key No.	Part No.	Description	Key No.	Part No.	Description
R8038	401 105 7909	MT-GLAZE 0.000 ZA 1/16W	R8138	401 105 7909	MT-GLAZE 0.000 ZA 1/16W
R8039	401 105 7909	MT-GLAZE 0.000 ZA 1/16W	R8139	401 105 7909	MT-GLAZE 0.000 ZA 1/16W
R804	401 105 8005	MT-GLAZE 1M JA 1/16W	R814	401 105 0504	MT-GLAZE 1K JA 1/16W
R8040	401 105 7909	MT-GLAZE 0.000 ZA 1/16W	R8141	401 105 7909	MT-GLAZE 0.000 ZA 1/16W
R8041	401 105 7909	MT-GLAZE 0.000 ZA 1/16W	R8142	401 105 5103	MT-GLAZE 47 JA 1/16W
R8042	401 105 7909	MT-GLAZE 0.000 ZA 1/16W	R8143	401 105 5103	MT-GLAZE 47 JA 1/16W
R8043	401 105 7909	MT-GLAZE 0.000 ZA 1/16W	R8144	401 105 5103	MT-GLAZE 47 JA 1/16W
R8044	401 105 7909	MT-GLAZE 0.000 ZA 1/16W	R8146	401 105 5103	MT-GLAZE 47 JA 1/16W
R8045	401 105 0306	MT-GLAZE 10 JA 1/16W	R8147	401 105 7909	MT-GLAZE 0.000 ZA 1/16W
R8046	401 105 7909	MT-GLAZE 0.000 ZA 1/16W	R8148	401 105 7909	MT-GLAZE 0.000 ZA 1/16W
R8047	401 105 0306	MT-GLAZE 10 JA 1/16W	R8149	401 105 7909	MT-GLAZE 0.000 ZA 1/16W
R8048	401 105 7909	MT-GLAZE 0.000 ZA 1/16W	R815	401 105 0504	MT-GLAZE 1K JA 1/16W
R8049	401 105 7909	MT-GLAZE 0.000 ZA 1/16W	R8151	401 105 7909	MT-GLAZE 0.000 ZA 1/16W
R805	401 105 5301	MT-GLAZE 4.7K JA 1/16W	R8152	401 105 7909	MT-GLAZE 0.000 ZA 1/16W
R8050	401 105 0306	MT-GLAZE 10 JA 1/16W	R8153	401 105 7909	MT-GLAZE 0.000 ZA 1/16W
R8051	401 105 7909	MT-GLAZE 0.000 ZA 1/16W	R8154	401 105 7909	MT-GLAZE 0.000 ZA 1/16W
R8052	401 105 7909	MT-GLAZE 0.000 ZA 1/16W	R8156	401 105 7909	MT-GLAZE 0.000 ZA 1/16W
R8054	401 105 7909	MT-GLAZE 0.000 ZA 1/16W	R8157	401 105 7909	MT-GLAZE 0.000 ZA 1/16W
R8055	401 105 7909	MT-GLAZE 0.000 ZA 1/16W	R8158	401 105 7909	MT-GLAZE 0.000 ZA 1/16W
R8056	401 105 7909	MT-GLAZE 0.000 ZA 1/16W	R8159	401 105 7909	MT-GLAZE 0.000 ZA 1/16W
R8057	401 105 8005	MT-GLAZE 1M JA 1/16W	R816	401 105 0504	MT-GLAZE 1K JA 1/16W
R8058	401 105 0306	MT-GLAZE 10 JA 1/16W	R8164	401 105 7909	MT-GLAZE 0.000 ZA 1/16W
R8059	401 105 0306	MT-GLAZE 10 JA 1/16W	R817	401 105 0504	MT-GLAZE 1K JA 1/16W
R806	401 105 1501	MT-GLAZE 1.5K JA 1/16W	R818	401 105 2607	MT-GLAZE 22 JA 1/16W
R8060	401 105 0306	MT-GLAZE 10 JA 1/16W	R819	401 105 2607	MT-GLAZE 22 JA 1/16W
R8061	401 105 0306	MT-GLAZE 10 JA 1/16W	R820	401 105 0405	MT-GLAZE 100 JA 1/16W
R8062	401 105 7909	MT-GLAZE 0.000 ZA 1/16W	R821	401 105 7909	MT-GLAZE 0.000 ZA 1/16W
R8063	401 105 0306	MT-GLAZE 10 JA 1/16W	R822	401 105 5301	MT-GLAZE 4.7K JA 1/16W
R8064	401 105 7909	MT-GLAZE 0.000 ZA 1/16W	R8221	401 105 4106	MT-GLAZE 3.3K JA 1/16W
R8066	401 105 7909	MT-GLAZE 0.000 ZA 1/16W	R8222	401 105 0504	MT-GLAZE 1K JA 1/16W
R8067	401 105 7909	MT-GLAZE 0.000 ZA 1/16W	R823	401 105 0504	MT-GLAZE 1K JA 1/16W
R8068	401 105 0603	MT-GLAZE 10K JA 1/16W	R8231	401 105 4106	MT-GLAZE 3.3K JA 1/16W
R807	401 105 8005	MT-GLAZE 1M JA 1/16W	R8232	401 105 4106	MT-GLAZE 3.3K JA 1/16W
R8071	401 225 7605	MT-GLAZE 1 JA 1W	R8236	401 105 0603	MT-GLAZE 10K JA 1/16W
R8072	401 225 7605	MT-GLAZE 1 JA 1W	R824	401 105 0603	MT-GLAZE 10K JA 1/16W
R8073	401 225 7605	MT-GLAZE 1 JA 1W	R825	401 105 2607	MT-GLAZE 22 JA 1/16W
R8074	401 225 7605	MT-GLAZE 1 JA 1W	R826	401 105 5400	MT-GLAZE 47K JA 1/16W
R8075	401 225 7605	MT-GLAZE 1 JA 1W	R827	401 105 0504	MT-GLAZE 1K JA 1/16W
R8076	401 105 7909	MT-GLAZE 0.000 ZA 1/16W	R828	401 105 0504	MT-GLAZE 1K JA 1/16W
R8077	401 105 7909	MT-GLAZE 0.000 ZA 1/16W	R829	401 105 0504	MT-GLAZE 1K JA 1/16W
R808	401 105 8005	MT-GLAZE 1M JA 1/16W	R830	401 105 3307	MT-GLAZE 2.7K JA 1/16W
R8081	401 105 0603	MT-GLAZE 10K JA 1/16W	R831	401 105 0603	MT-GLAZE 10K JA 1/16W
R809	401 105 3307	MT-GLAZE 2.7K JA 1/16W	R832	401 105 5202	MT-GLAZE 470 JA 1/16W
R810	401 105 0603	MT-GLAZE 10K JA 1/16W	R833	401 105 0603	MT-GLAZE 10K JA 1/16W
R8101	401 105 7909	MT-GLAZE 0.000 ZA 1/16W	R834	401 105 0504	MT-GLAZE 1K JA 1/16W
R811	401 105 0504	MT-GLAZE 1K JA 1/16W	R835	401 105 2607	MT-GLAZE 22 JA 1/16W
R8111	401 105 7909	MT-GLAZE 0.000 ZA 1/16W	R836	401 105 0504	MT-GLAZE 1K JA 1/16W
R8112	401 105 7909	MT-GLAZE 0.000 ZA 1/16W	R838	401 105 0603	MT-GLAZE 10K JA 1/16W
R8113	401 105 7909	MT-GLAZE 0.000 ZA 1/16W	R839	401 105 0504	MT-GLAZE 1K JA 1/16W
R8114	401 105 7909	MT-GLAZE 0.000 ZA 1/16W	R840	401 105 2607	MT-GLAZE 22 JA 1/16W
R8116	401 105 7909	MT-GLAZE 0.000 ZA 1/16W	R8401	401 105 0504	MT-GLAZE 1K JA 1/16W
R8117	401 105 7909	MT-GLAZE 0.000 ZA 1/16W	R8402	401 105 5806	MT-GLAZE 56 JA 1/16W
R8118	401 105 7909	MT-GLAZE 0.000 ZA 1/16W	R8403	401 105 5806	MT-GLAZE 56 JA 1/16W
R8119	401 105 7909	MT-GLAZE 0.000 ZA 1/16W	R8404	401 105 5806	MT-GLAZE 56 JA 1/16W
R812	401 105 0504	MT-GLAZE 1K JA 1/16W	R8405	401 105 5806	MT-GLAZE 56 JA 1/16W
R8120	401 105 7909	MT-GLAZE 0.000 ZA 1/16W	R8406	401 105 5806	MT-GLAZE 56 JA 1/16W
R8121	401 105 7909	MT-GLAZE 0.000 ZA 1/16W	R8407	401 105 7909	MT-GLAZE 0.000 ZA 1/16W
R8122	401 105 7909	MT-GLAZE 0.000 ZA 1/16W	R8408	401 105 5806	MT-GLAZE 56 JA 1/16W
R8123	401 105 7909	MT-GLAZE 0.000 ZA 1/16W	R8409	401 105 5806	MT-GLAZE 56 JA 1/16W
R8124	401 035 4108	MT-GLAZE 0.000 ZA 1/8W	R8410	401 105 5806	MT-GLAZE 56 JA 1/16W
R8125	401 035 4108	MT-GLAZE 0.000 ZA 1/8W	R8411	401 105 5806	MT-GLAZE 56 JA 1/16W
R8126	401 035 4108	MT-GLAZE 0.000 ZA 1/8W	R8414	401 105 2904	MT-GLAZE 22K JA 1/16W
R8127	401 105 7909	MT-GLAZE 0.000 ZA 1/16W	R8415	401 105 7909	MT-GLAZE 0.000 ZA 1/16W
R8128	401 105 7909	MT-GLAZE 0.000 ZA 1/16W	R842	401 105 0504	MT-GLAZE 1K JA 1/16W
R8129	401 105 7909	MT-GLAZE 0.000 ZA 1/16W	R8421	401 105 7909	MT-GLAZE 0.000 ZA 1/16W
R813	401 105 0504	MT-GLAZE 1K JA 1/16W	R8422	401 105 7909	MT-GLAZE 0.000 ZA 1/16W
R8130	401 105 7909	MT-GLAZE 0.000 ZA 1/16W	R8423	401 105 0504	MT-GLAZE 1K JA 1/16W
R8131	401 105 7909	MT-GLAZE 0.000 ZA 1/16W	R8424	401 105 7909	MT-GLAZE 0.000 ZA 1/16W
R8132	401 105 7909	MT-GLAZE 0.000 ZA 1/16W	R8425	401 105 7909	MT-GLAZE 0.000 ZA 1/16W
R8133	401 105 5103	MT-GLAZE 47 JA 1/16W	R8426	401 105 7909	MT-GLAZE 0.000 ZA 1/16W
R8134	401 105 7909	MT-GLAZE 0.000 ZA 1/16W	R8427	401 105 0603	MT-GLAZE 10K JA 1/16W
R8135	401 035 4108	MT-GLAZE 0.000 ZA 1/8W	R8428	401 105 7909	MT-GLAZE 0.000 ZA 1/16W
R8136	401 105 7909	MT-GLAZE 0.000 ZA 1/16W	R843	401 105 0504	MT-GLAZE 1K JA 1/16W
R8137	401 105 7909	MT-GLAZE 0.000 ZA 1/16W	R8432	401 105 7909	MT-GLAZE 0.000 ZA 1/16W

Electrical Parts List

Key No.	Part No.	Description	Key No.	Part No.	Description
R8433	401 105 7909	MT-GLAZE 0.000 ZA 1/16W	L106	645 050 3924	INDUCTOR,10U M
R8436	401 105 7909	MT-GLAZE 0.000 ZA 1/16W	L107	645 050 3924	INDUCTOR,10U M
R8437	401 105 7909	MT-GLAZE 0.000 ZA 1/16W	L109	401 035 4108	MT-GLAZE 0.000 ZA 1/8W
R8439	401 105 7909	MT-GLAZE 0.000 ZA 1/16W	L1601	645 044 3343	INDUCTOR,150U M
R844	401 105 0405	MT-GLAZE 100 JA 1/16W	L1603	645 037 4500	INDUCTOR,1000 OHM
R845	401 105 7909	MT-GLAZE 0.000 ZA 1/16W	L1607	645 037 4500	INDUCTOR,1000 OHM
R846	401 105 0603	MT-GLAZE 10K JA 1/16W	L1609	645 023 2978	INDUCTOR,800 OHM
R847	401 105 0603	MT-GLAZE 10K JA 1/16W	L1611	401 035 4108	MT-GLAZE 0.000 ZA 1/8W
R8471	401 105 7909	MT-GLAZE 0.000 ZA 1/16W	L1613	645 023 2978	INDUCTOR,800 OHM
R8472	401 105 7909	MT-GLAZE 0.000 ZA 1/16W	L1614	401 035 4108	MT-GLAZE 0.000 ZA 1/8W
R8473	401 105 7909	MT-GLAZE 0.000 ZA 1/16W	L1616	645 038 4561	INDUCTOR,100U M
R8474	401 105 7909	MT-GLAZE 0.000 ZA 1/16W	L1617	645 037 7396	INDUCTOR,22U M
R8475	401 105 7909	MT-GLAZE 0.000 ZA 1/16W	L1711	645 040 3101	INDUCTOR,3.3U M
R8476	401 105 7909	MT-GLAZE 0.000 ZA 1/16W		645 026 1008	INDUCTOR,3.3U M
R8477	401 105 7909	MT-GLAZE 0.000 ZA 1/16W	L1712	645 040 3101	INDUCTOR,3.3U M
R8478	401 105 7909	MT-GLAZE 0.000 ZA 1/16W		645 026 1008	INDUCTOR,3.3U M
R8479	401 105 7909	MT-GLAZE 0.000 ZA 1/16W	L1771	645 040 3101	INDUCTOR,3.3U M
R848	401 105 2607	MT-GLAZE 22 JA 1/16W		645 026 1008	INDUCTOR,3.3U M
R8480	401 105 7909	MT-GLAZE 0.000 ZA 1/16W	L1851	645 033 7918	INDUCTOR,10U M
R8481	401 105 7909	MT-GLAZE 0.000 ZA 1/16W	L1931	645 047 8154	INDUCTOR,390 OHM
R8482	401 105 7909	MT-GLAZE 0.000 ZA 1/16W	L1941	645 040 3088	INDUCTOR,2.2U M
R849	401 105 2607	MT-GLAZE 22 JA 1/16W		645 026 0988	INDUCTOR,2.2U M
R850	401 105 2904	MT-GLAZE 22K JA 1/16W	L3142	645 036 3894	INDUCTOR,220 OHM
R851	401 105 2607	MT-GLAZE 22 JA 1/16W	L3151	645 019 0971	INDUCTOR,600 OHM
R852	401 105 2904	MT-GLAZE 22K JA 1/16W	L3152	401 105 7909	MT-GLAZE 0.000 ZA 1/16W
R853	401 105 0504	MT-GLAZE 1K JA 1/16W	L3153	645 019 0971	INDUCTOR,600 OHM
R854	401 105 0504	MT-GLAZE 1K JA 1/16W	L3154	401 105 7909	MT-GLAZE 0.000 ZA 1/16W
R855	401 105 0603	MT-GLAZE 10K JA 1/16W	L4101	645 040 3088	INDUCTOR,2.2U M
R856	401 105 5400	MT-GLAZE 47K JA 1/16W		645 026 0988	INDUCTOR,2.2U M
R857	401 105 2805	MT-GLAZE 2.2K JA 1/16W	L4102	645 040 3088	INDUCTOR,2.2U M
R858	401 105 5301	MT-GLAZE 4.7K JA 1/16W		645 026 0988	INDUCTOR,2.2U M
R859	401 105 0504	MT-GLAZE 1K JA 1/16W	L4103	645 040 3088	INDUCTOR,2.2U M
R860	401 105 2607	MT-GLAZE 22 JA 1/16W		645 026 0988	INDUCTOR,2.2U M
R861	401 105 5301	MT-GLAZE 4.7K JA 1/16W	L4104	645 040 3101	INDUCTOR,3.3U M
R862	401 105 5301	MT-GLAZE 4.7K JA 1/16W		645 026 1008	INDUCTOR,3.3U M
R863	401 105 0504	MT-GLAZE 1K JA 1/16W	L4105	645 040 3088	INDUCTOR,2.2U M
R864	401 105 7909	MT-GLAZE 0.000 ZA 1/16W		645 026 0988	INDUCTOR,2.2U M
R865	401 105 0504	MT-GLAZE 1K JA 1/16W	L4106	645 040 3088	INDUCTOR,2.2U M
R866	401 105 7909	MT-GLAZE 0.000 ZA 1/16W		645 026 0988	INDUCTOR,2.2U M
R867	401 105 0504	MT-GLAZE 1K JA 1/16W	L4111	645 040 3101	INDUCTOR,3.3U M
R868	401 105 7909	MT-GLAZE 0.000 ZA 1/16W		645 026 1008	INDUCTOR,3.3U M
R869	401 105 7909	MT-GLAZE 0.000 ZA 1/16W	L5001	645 040 3088	INDUCTOR,2.2U M
R870	401 105 0504	MT-GLAZE 1K JA 1/16W		645 026 0988	INDUCTOR,2.2U M
R871	401 105 0504	MT-GLAZE 1K JA 1/16W	L5101	645 040 3088	INDUCTOR,2.2U M
R872	401 105 0504	MT-GLAZE 1K JA 1/16W		645 026 0988	INDUCTOR,2.2U M
R873	401 105 0603	MT-GLAZE 10K JA 1/16W	L701	645 019 0971	INDUCTOR,600 OHM
R874	401 105 0504	MT-GLAZE 1K JA 1/16W	L702	645 019 0971	INDUCTOR,600 OHM
R876	401 105 2607	MT-GLAZE 22 JA 1/16W	L703	645 019 0971	INDUCTOR,600 OHM
R877	401 105 2607	MT-GLAZE 22 JA 1/16W	L801	645 040 3101	INDUCTOR,3.3U M
R878	401 105 0603	MT-GLAZE 10K JA 1/16W		645 026 1008	INDUCTOR,3.3U M
R879	401 105 2607	MT-GLAZE 22 JA 1/16W	L8071	645 036 3894	INDUCTOR,220 OHM
R881	401 105 2904	MT-GLAZE 22K JA 1/16W	L8072	645 019 0971	INDUCTOR,600 OHM
R882	401 105 2904	MT-GLAZE 22K JA 1/16W	L8073	645 036 3894	INDUCTOR,220 OHM
R883	401 105 0603	MT-GLAZE 10K JA 1/16W	L8074	645 019 0971	INDUCTOR,600 OHM
R884	401 105 7909	MT-GLAZE 0.000 ZA 1/16W	L8075	645 019 0971	INDUCTOR,600 OHM
R885	401 105 7909	MT-GLAZE 0.000 ZA 1/16W	L8101	645 040 3088	INDUCTOR,2.2U M
R886	401 105 0504	MT-GLAZE 1K JA 1/16W		645 026 0988	INDUCTOR,2.2U M
R887	401 105 5806	MT-GLAZE 56 JA 1/16W	L821	401 035 4108	MT-GLAZE 0.000 ZA 1/8W
R888	401 105 5806	MT-GLAZE 56 JA 1/16W			
R889	401 105 5806	MT-GLAZE 56 JA 1/16W			
R890	401 105 5806	MT-GLAZE 56 JA 1/16W			
R891	401 105 0504	MT-GLAZE 1K JA 1/16W			
R892	401 105 0504	MT-GLAZE 1K JA 1/16W			
R894	401 105 1501	MT-GLAZE 1.5K JA 1/16W			
R895	401 105 0504	MT-GLAZE 1K JA 1/16W			
R898	401 105 4205	MT-GLAZE 33K JA 1/16W			
R899	401 105 5400	MT-GLAZE 47K JA 1/16W			
COIL					
L031	401 035 4108	MT-GLAZE 0.000 ZA 1/8W			
L101	401 035 4108	MT-GLAZE 0.000 ZA 1/8W			
L102	401 035 4108	MT-GLAZE 0.000 ZA 1/8W			
L104	645 050 3924	INDUCTOR,10U M			
L105	645 050 3924	INDUCTOR,10U M			
			DIODE		
			D031	407 210 5403	DIODE RB551V-30-TE-17
			D101	407 201 2701	DIODE RB051L-40-TE25
			D102	407 149 0807	DIODE 1SS355-TE-17
			D103	407 201 2701	DIODE RB051L-40-TE25
			D104	407 201 2701	DIODE RB051L-40-TE25
			D105	407 201 2701	DIODE RB051L-40-TE25
			D1101	407 210 5403	DIODE RB551V-30-TE-17
			D1601	407 213 8500	DIODE SPB-G56SVR
			D1603	407 210 5403	DIODE RB551V-30-TE-17
			D1606	407 124 0709	DIODE SFPB-64-V
			D1607	407 213 8500	DIODE SPB-G56SVR
			D1711	407 210 5403	DIODE RB551V-30-TE-17
			D1851	407 201 2701	DIODE RB051L-40-TE25
			D1852	407 149 0807	DIODE 1SS355-TE-17

Electrical Parts List

Key No.	Part No.	Description	Key No.	Part No.	Description
D1854	407 149 0807	DIODE 1SS355-TE-17	C655	404 057 1308	ELECT 68U M 400V
D1882	407 210 5601	DIODE RB500V-40-TE-17	C656	403 269 1809	CERAMIC 470P K 1K
D1883	407 210 5403	DIODE RB551V-30-TE-17	C657	403 324 3304	CERAMIC 220P K 2K
D1884	407 210 5601	DIODE RB500V-40-TE-17	C658	403 113 4109	CERAMIC 2200P K 50V
D1931	407 149 0807	DIODE 1SS355-TE-17	C659	403 343 5501	ELECT 68U M 35V
D3101	407 149 0807	DIODE 1SS355-TE-17	C660	403 157 3601	CERAMIC 100P J 50V
D3102	407 149 0807	DIODE 1SS355-TE-17	C661	403 113 3805	CERAMIC 1000P K 50V
D4101	407 149 0807	DIODE 1SS355-TE-17	C662	403 222 1303	CERAMIC 1000P K 1K
D4102	407 004 1000	DIODE DCC010-TB	C663	403 384 1005	ELECT 2200U M 16V
D4103	407 004 1000	DIODE DCC010-TB	C664	401 105 0702	MT-GLAZE 100K JA 1/16W
D5001	407 004 1000	DIODE DCC010-TB	C665	403 164 0204	CERAMIC 0.1U Z 25V
D5002	407 149 0807	DIODE 1SS355-TE-17	C667	403 162 6208	ELECT 1U M 50V
D5003	407 004 1000	DIODE DCC010-TB	C668	403 164 0204	CERAMIC 0.1U Z 25V
D5004	407 187 7400	ZENER DIODE UDZ3.0B-TE-17	C669	403 164 0204	CERAMIC 0.1U Z 25V
D5101	407 004 1000	DIODE DCC010-TB	C670	403 378 2209	ELECT 470U M 25V
D5102	407 187 7400	ZENER DIODE UDZ3.0B-TE-17	C671	403 286 8201	ELECT 1000U M 6.3V
D5103	407 004 1000	DIODE DCC010-TB	C672	403 164 0204	CERAMIC 0.1U Z 25V
D5104	407 149 0807	DIODE 1SS355-TE-17			
D751	407 149 0807	DIODE 1SS355-TE-17	RESISTOR		
D752	407 149 0807	DIODE 1SS355-TE-17	R601	401 009 7401	CARBON 330K JA 1/2W
D753	407 149 0807	DIODE 1SS355-TE-17	R651	401 199 4303	MT-GLAZE 180 JA 1W
D8071	407 187 7400	ZENER DIODE UDZ3.0B-TE-17	R652	401 199 4303	MT-GLAZE 180 JA 1W
D8072	407 179 6305	ZENER DIODE UDZ-TE-173.6B	R653	401 258 9904	MT-GLAZE 10 JA 1/3W
D8073	407 149 0807	DIODE 1SS355-TE-17	R654	401 105 1600	MT-GLAZE 15K JA 1/16W
D8074	407 004 1000	DIODE DCC010-TB	R655	401 105 0603	MT-GLAZE 10K JA 1/16W
D8076	407 004 1000	DIODE DCC010-TB	R656	401 105 1600	MT-GLAZE 15K JA 1/16W
D8077	407 149 0807	DIODE 1SS355-TE-17	R657	401 105 3406	MT-GLAZE 27K JA 1/16W
D891	407 203 7704	LED SML-210DT T86 L	R658	401 218 9203	MT-GLAZE 100 JA 1/3W
			R659	401 230 8000	MT-GLAZE 1K JA 1/3W
MISCELLANEOUS			R661	401 105 0405	MT-GLAZE 100 JA 1/16W
△ B1883A	645 059 8302	BATTERY,LITHIUM	R670	401 035 4108	MT-GLAZE 0.000 ZA 1/8W
K801	645 037 9956	SOCKET,DIN 9P	R671	401 105 6001	MT-GLAZE 5.6K JA 1/16W
K8401	645 037 9956	SOCKET,DIN 9P	R672	401 105 4205	MT-GLAZE 33K JA 1/16W
SW8221	645 024 3851	SWITCH,PUSH	R673	401 035 4108	MT-GLAZE 0.000 ZA 1/8W
SW8222	645 024 3851	SWITCH,PUSH	R674	401 035 4108	MT-GLAZE 0.000 ZA 1/8W
SW8223	645 024 3851	SWITCH,PUSH			
X1711	645 035 8838	OSC,CERAMIC 500.0KHZ	VARISTOR		
X3001	645 030 5863	OSC,CRISTAL,14.318MHZ	△ VA601	407 130 2902	VARISTOR ENC471D-14A
X3151	645 060 2313	OSC,CRYSTAL 15.45MHZ			
X3152	645 037 9352	OSC,CRYSTAL 24.000MHZ	TRANSFORMER		
X8001	645 055 8795	OSC,CRYSTAL 9830.4KHZ	△ T651	645 059 3123	TRANS,POWER,PULSE
X801	645 024 7859	OSC,CRYSTAL 16.000MHZ			
610 305 1802 ASSY,PWB,POWER,J3TF 1AA0B10N0410A			COIL		
TRANSISTOR			△ LF601	645 057 2395	LINE FILTER
Q651	405 014 4509	TR 2SC2412K T146 R	△ LF602	645 057 2395	LINE FILTER
	405 014 4608	TR 2SC2412K T146 S	△ LF603	645 057 2395	LINE FILTER
	405 015 8704	TR 2SC2812-L6-TB			
	405 015 8902	TR 2SC2812-L7-TB	DIODE		
	405 163 1602	TR 2SC2812N-L6-TB0	D651	407 190 4106	DIODE SFPL-52V
	405 163 1701	TR 2SC2812N-L7-TB0	D652	407 190 4106	DIODE SFPL-52V
	405 173 9803	TR 2SC3928A1R	D653	407 221 7106	ZENER DIODE UDZS-TE-1712B
	405 173 9902	TR 2SC3928A1S	D654	407 223 9009	DIODE FMB-G16L
				407 223 9108	DIODE YG811S06R
INTEGRATED CIRCUIT			D655	407 190 4106	DIODE SFPL-52V
IC651	409 558 8405	IC MR1722-4101	D656	407 209 4509	ZD UDZS-TE-176.8B
IC652	409 416 6505	IC BA05FP-E2	D658	407 206 6308	ZD UDZS-TE-175.1B
			D659	407 231 7509	DIODE SLWB(A)80
CAPACITOR			D660	407 149 0807	DIODE 1SS355-TE-17
△ C601	404 094 2009	MT-POLYEST 0.47U K 275V			
△ C602	404 073 2303	CERAMIC 1500P M 250V	MISCELLANEOUS		
△ C603	404 094 2009	MT-POLYEST 0.47U K 275V	△ F601	423 025 1201	FUSE 250V 8A
△ C604	404 094 2009	MT-POLYEST 0.47U K 275V	△ F602	423 025 1201	FUSE 250V 8A
△ C605	404 094 2009	MT-POLYEST 0.47U K 275V	△ K602	645 059 5356	UNIT,NOISE FILTER
△ C606	404 073 2303	CERAMIC 1500P M 250V	RL651	645 040 3583	RELAY
C650	403 269 1809	CERAMIC 470P K 1K	△ PC651	407 223 7302	PC TLP421F(D4-GB-TP4)
C651	403 222 1303	CERAMIC 1000P K 1K		407 223 8309	PC TLP421F(D4-GR-TP4)
C652	403 222 1303	CERAMIC 1000P K 1K	PTH651	408 037 4600	THERMISTOR NTH11D8R0LA
C653	403 222 1303	CERAMIC 1000P K 1K			
C654	403 222 1303	CERAMIC 1000P K 1K			

Electrical Parts List

Key No.	Part No.	Description	Key No.	Part No.	Description
R1591	401 105 7909	MT-GLAZE 0.000 ZA 1/16W	CAPACITOR		
R1592	401 105 7909	MT-GLAZE 0.000 ZA 1/16W	C1891	403 283 6309	CERAMIC 1U Z 10V
COIL				403 309 1400	CERAMIC 1U Z 10V
L1521	401 035 4108	MT-GLAZE 0.000 ZA 1/8W		403 336 5600	CERAMIC 1U Z 10V
L1522	401 035 4108	MT-GLAZE 0.000 ZA 1/8W	C1892	403 283 6309	CERAMIC 1U Z 10V
L1523	645 026 0988	INDUCTOR,2.2U M		403 309 1400	CERAMIC 1U Z 10V
L1524	645 026 0988	INDUCTOR,2.2U M		403 336 5600	CERAMIC 1U Z 10V
L1525	645 026 0988	INDUCTOR,2.2U M	RESISTOR		
DIODE			R1891	401 105 7909	MT-GLAZE 0.000 ZA 1/16W
D1501	407 210 5403	DIODE RB551V-30-TE-17	COIL		
D1502	407 210 5403	DIODE RB551V-30-TE-17	L1891	645 026 0988	INDUCTOR,2.2U M
D1505	407 149 0807	DIODE 1SS355-TE-17	610 305 1857 ASSY,PWB,SENSOR-B,J3TF 1AA0B10N041B0		
D1506	407 149 0807	DIODE 1SS355-TE-17	INTEGRATED CIRCUIT		
D1507	407 149 0807	DIODE 1SS355-TE-17	△ IC1881	409 491 9002	IC LM50BIM3
D1508	407 149 0807	DIODE 1SS355-TE-17	CAPACITOR		
MISCELLANEOUS			C1881	403 283 6309	CERAMIC 1U Z 10V
K1501	645 050 8011	SOCKET,D-SUB 15P		403 309 1400	CERAMIC 1U Z 10V
K1502	645 053 4935	PLUG,D-SUB 9P		403 336 5600	CERAMIC 1U Z 10V
K1503	645 053 4935	PLUG,D-SUB 9P	C1882	403 283 6309	CERAMIC 1U Z 10V
K1504	645 007 7456	JACK,PHONE D3.5		403 309 1400	CERAMIC 1U Z 10V
SC1501	645 055 3202	SURGE-ABSORBER		403 336 5600	CERAMIC 1U Z 10V
SC1502	645 055 3202	SURGE-ABSORBER	RESISTOR		
SC1503	645 055 3202	SURGE-ABSORBER	R1881	401 105 7909	MT-GLAZE 0.000 ZA 1/16W
SC1504	645 055 3202	SURGE-ABSORBER	COIL		
SC1505	645 055 3202	SURGE-ABSORBER	L1881	645 026 0988	INDUCTOR,2.2U M
SC1506	645 055 3202	SURGE-ABSORBER	610 305 1864 ASSY,PWB,JACK-B,J3TF 1AA0B10N0410G		
SC1507	645 055 3202	SURGE-ABSORBER	TRANSISTOR		
SC1508	645 055 3202	SURGE-ABSORBER	Q1101	405 014 4509	TR 2SC2412K T146 R
SC1509	645 055 3202	SURGE-ABSORBER		405 014 4608	TR 2SC2412K T146 S
SC1510	645 055 3202	SURGE-ABSORBER		405 015 8704	TR 2SC2812-L6-TB
SC1511	645 055 3202	SURGE-ABSORBER		405 015 8902	TR 2SC2812-L7-TB
SC1512	645 055 3202	SURGE-ABSORBER		405 163 1602	TR 2SC2812N-L6-TB0
SC1513	645 055 3202	SURGE-ABSORBER		405 163 1701	TR 2SC2812N-L7-TB0
XL1501	645 045 6183	FILTER,EMI 25MHZ		405 173 9803	TR 2SC3928A1R
XL1502	645 045 6183	FILTER,EMI 25MHZ		405 173 9902	TR 2SC3928A1S
XL1503	645 045 6183	FILTER,EMI 25MHZ	INTEGRATED CIRCUIT		
XL1504	645 045 6183	FILTER,EMI 25MHZ	IC1101	409 155 8006	IC TC7S04F-TE85L
XL1505	645 045 6183	FILTER,EMI 25MHZ	CAPACITOR		
XL1506	645 045 6183	FILTER,EMI 25MHZ	C1101	403 164 0204	CERAMIC 0.1U Z 25V
XL1507	645 044 8843	FILTER,EMI 200MHZ	C1102	403 164 0204	CERAMIC 0.1U Z 25V
XL1508	645 044 8843	FILTER,EMI 200MHZ	C1103	403 343 3408	ELECT 10U M 25V
XL1509	645 044 8843	FILTER,EMI 200MHZ	C1104	403 164 0204	CERAMIC 0.1U Z 25V
XL1510	645 045 6183	FILTER,EMI 25MHZ	C1105	403 164 0204	CERAMIC 0.1U Z 25V
XL1511	645 045 6183	FILTER,EMI 25MHZ	RESISTOR		
610 305 1826 ASSY,PWB,CONTROL,J3TF 1AA0B10N0410C			R1102	401 105 6001	MT-GLAZE 5.6K JA 1/16W
CAPACITOR			R1106	401 105 7909	MT-GLAZE 0.000 ZA 1/16W
C1902	403 113 3805	CERAMIC 1000P K 50V	R1107	401 105 7909	MT-GLAZE 0.000 ZA 1/16W
C1903	403 113 3805	CERAMIC 1000P K 50V	R1108	401 105 7909	MT-GLAZE 0.000 ZA 1/16W
RESISTOR			R1109	401 105 7909	MT-GLAZE 0.000 ZA 1/16W
R1912	401 105 7909	MT-GLAZE 0.000 ZA 1/16W	R1110	401 036 2707	MT-GLAZE 270 JA 1/8W
R1917	401 105 7909	MT-GLAZE 0.000 ZA 1/16W	R1111	401 105 7909	MT-GLAZE 0.000 ZA 1/16W
R1918	401 105 0405	MT-GLAZE 100 JA 1/16W	R1112	401 105 7909	MT-GLAZE 0.000 ZA 1/16W
DIODE			R1113	401 105 7909	MT-GLAZE 0.000 ZA 1/16W
D1901	407 199 1809	LED SML-020MLT-T86	R1114	401 105 2904	MT-GLAZE 22K JA 1/16W
MISCELLANEOUS			R1115	401 105 3406	MT-GLAZE 27K JA 1/16W
A1902	645 062 2434	UNIT,REMOCON RECEIVER	R1116	401 105 0603	MT-GLAZE 10K JA 1/16W
SC1902	645 055 3202	SURGE-ABSORBER	R1117	401 105 6001	MT-GLAZE 5.6K JA 1/16W
610 305 1840 ASSY,PWB,SENSOR-A,J3TF 1AA0B10N0410E			R1118	401 105 4106	MT-GLAZE 3.3K JA 1/16W
INTEGRATED CIRCUIT			R1119	401 105 2805	MT-GLAZE 2.2K JA 1/16W
△ IC1891	409 491 9002	IC LM50BIM3			

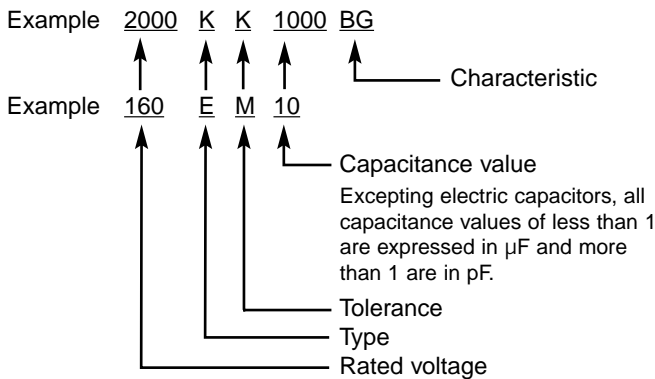
Electrical Parts List

Key No.	Part No.	Description	Key No.	Part No.	Description
R1120	401 105 2003	MT-GLAZE 1.8K JA 1/16W			
R1121	401 105 0504	MT-GLAZE 1K JA 1/16W			
R1122	401 105 0603	MT-GLAZE 10K JA 1/16W			
R1123	401 105 2904	MT-GLAZE 22K JA 1/16W			
R1124	401 105 0603	MT-GLAZE 10K JA 1/16W			
R1129	401 105 1402	MT-GLAZE 150 JA 1/16W			
R1130	401 035 4108	MT-GLAZE 0.000 ZA 1/8W			
MISCELLANEOUS					
K1101	610 009 8053	JACK,PHONE D3.6			
K1103	610 009 8053	JACK,PHONE D3.6			
PC1101	407 105 8700	PHOTO COUPLE PC113B			
SC1101	645 055 3202	SURGE-ABSORBER			
SC1102	645 055 3202	SURGE-ABSORBER			
SC1103	645 055 3202	SURGE-ABSORBER			
SC1104	645 055 3202	SURGE-ABSORBER			
SC1105	645 055 3202	SURGE-ABSORBER			
SW1101	610 245 1931	SWITCH,PUSH			
XL1101	645 045 6183	FILTER,EMI 25MHZ			
XL1102	645 045 6183	FILTER,EMI 25MHZ			
XL1103	645 045 6183	FILTER,EMI 25MHZ			
XL1104	645 045 6183	FILTER,EMI 25MHZ			

Parts Description and Reading in Schematic Diagram

1. The parts specification of resistors, capacitors and coils are expressed in designated code. Please check the parts description by the following code table.
2. Some of transistors and diodes are indicated in mark for the substitution of parts name. Please check the parts name by the following code table.
3. Voltages and waveforms were taken with a video color bar signal(1Vp-p at 75 ohms terminated) and controls to normal.
4. Voltages were taken with a high-impedance digital voltmeter.

Capacitor Reading



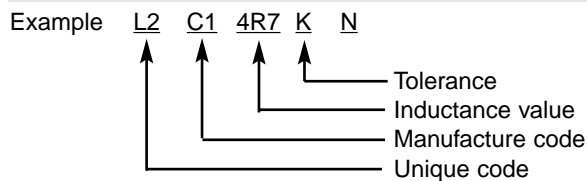
Material table

Mark	Material
E	Electrolytic
P	Electrolytic (non-polarized)
C	Ceramic (temperature compensation)
K	Ceramic
F	Polyester
N	Polypropylene
M	Metalized polypropylene
H	Metalized polypropylar
B	Ceramic (semiconductor)
G	Metalized polyester
Y	Composite film
S	Styrol
T	Tantalum oxide solid electrolytic
U	Organic semiconductive electrolyte
D	Electric double layer electrolytic

Tolerance table

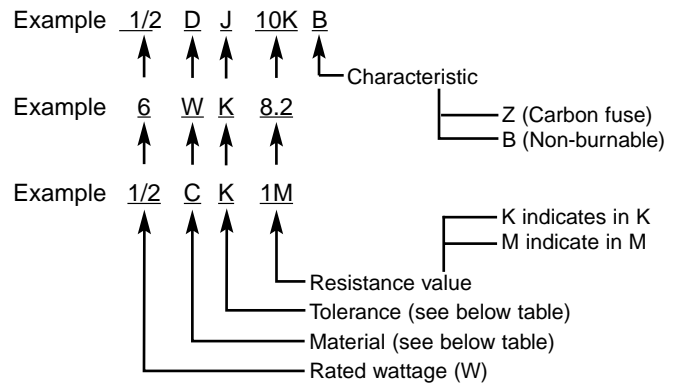
Mark	Tolerance
A	not specified
B	± 0.1
C	± 0.25
D	± 0.5
F	± 1
G	± 2
E	± 2.5
H	± 3
J	± 5
K	± 0
M	± 20
N	± 30
P	+100 -0
Q	+30 -10
T	+50 -10
U	+75 -10
V	+20 -10
W	+100 -10
X	+40 -20
Y	+150 -10
Z	+80 -20

Coil Reading



Mark	Tolerance (nH)	Mark	Tolerance (%)
C	± 0.25	G	± 2
D	± 0.5	J	± 5
S	± 0.3	K	± 10
A	± 0.2	L	± 15
		M	± 20

Resistor Reading



Note: Resistor which is indicated with resistance value only are 1/6W carbon resistor. Resistor which is indicated with material, tolerance and value are 1/4W rated wattage.

Material table

Mark	Material
D	Carbon
N	Metal film
S	Oxide metal film
C	Solid
G	Metal glaze
W	Wire winding or cement
H	Ceramic
F	Fusible

Tolerance table

Mark	Tolerance
A	± 0.05
B	± 0.1
C	± 0.25
D	± 0.5
F	± 1
G	± 2
J	± 5
K	± 10
M	± 20
P	+5 -15
Z	used in 0 ohm

Diode/Transistor Type Reading

Diode

Mark	Type number
R	1S2076A,1S2473,1N4148
AA	1S2076A,1S2473,1SS133,1N4148

Transistor

(1) NPN type

Mark	Type number				
--	2SC536	2SC945A	2SC1815	2SC1740S	
AD	NF, NG	PA, QA	Y, GR	Q, R, S	
AE	NF, NG	PA, QA, RA	O, Y, GR	Q, R, S	

(2) PNP type

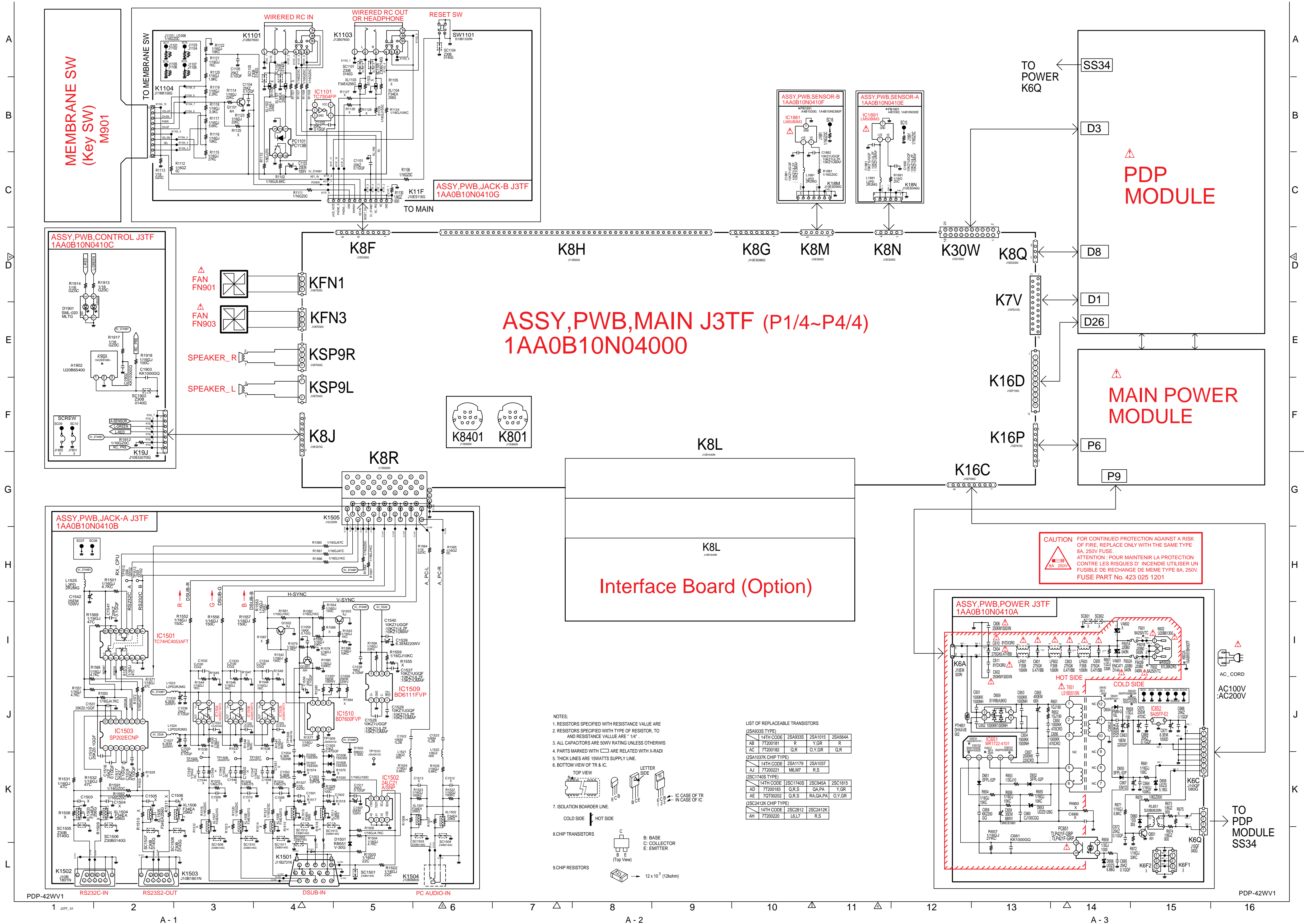
Mark	Type number				
--	2SA608	2SA564A	2SA1015	2SA933S	
AB	NF	R	Y, GR	R	
AC	NF	Q, R	O, Y, GR	Q, R	

(3) Chip type

Mark	Type number				
--	2SA1179/N	2SA1037K	2SA1037AK	2SC2812/N	2SC2412K
AJ	M6, M7	R, S	R, S		
AH				L6, L7	R, S

SANYO

SANYO Electric Co., Ltd.



ASSY,PWB,MAIN J3TF (P1/4~P4/4)
1AA0B10N04000

Interface Board (Option)

CAUTION FOR CONTINUED PROTECTION AGAINST A RISK OF FIRE, REPLACE ONLY WITH THE SAME TYPE 8A, 250V FUSE.
ATTENTION : POUR MAINTENIR LA PROTECTION CONTRE LES RISQUES D'INCENDIE UTILISER UN FUSIBLE DE RECHANGE DE MEME TYPE 8A, 250V. FUSE PART No. 423 025 1201

- NOTES:
- RESISTORS SPECIFIED WITH RESISTANCE VALUE ARE
 - RESISTORS SPECIFIED WITH TYPE OF RESISTOR, TO AND RESISTANCE VALUE ARE "14"
 - ALL CAPACITORS ARE 50%V RATING UNLESS OTHERWISE
 - PARTS MARKED WITH \square ARE RELATED WITH X-RADI
 - THICK LINES ARE 15WATTS SUPPLY LINE.
 - BOTTOM VIEW OF TR & IC.
7. ISOLATION BOARDER LINE.
8. CHIP TRANSISTORS
9. CHIP RESISTORS

LIST OF REPLACEABLE TRANSISTORS (2SA933S TYPE)

14TH CODE	2SA933S	2SA1015	2SA564A
AB	77200161	R	Y,GR
AC	77200162	Q,R	O,Y,GR

(2SA1037K CHIP TYPE)

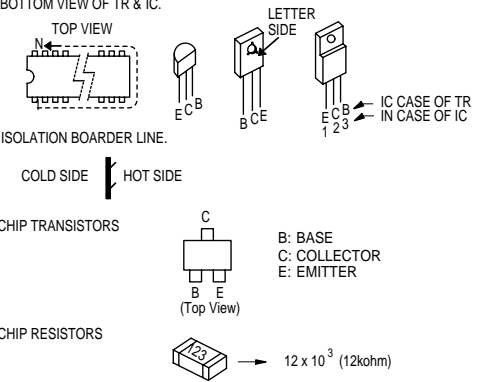
14TH CODE	2SA1179	2SA1037
AJ	77200221	M6,M7
		R,S

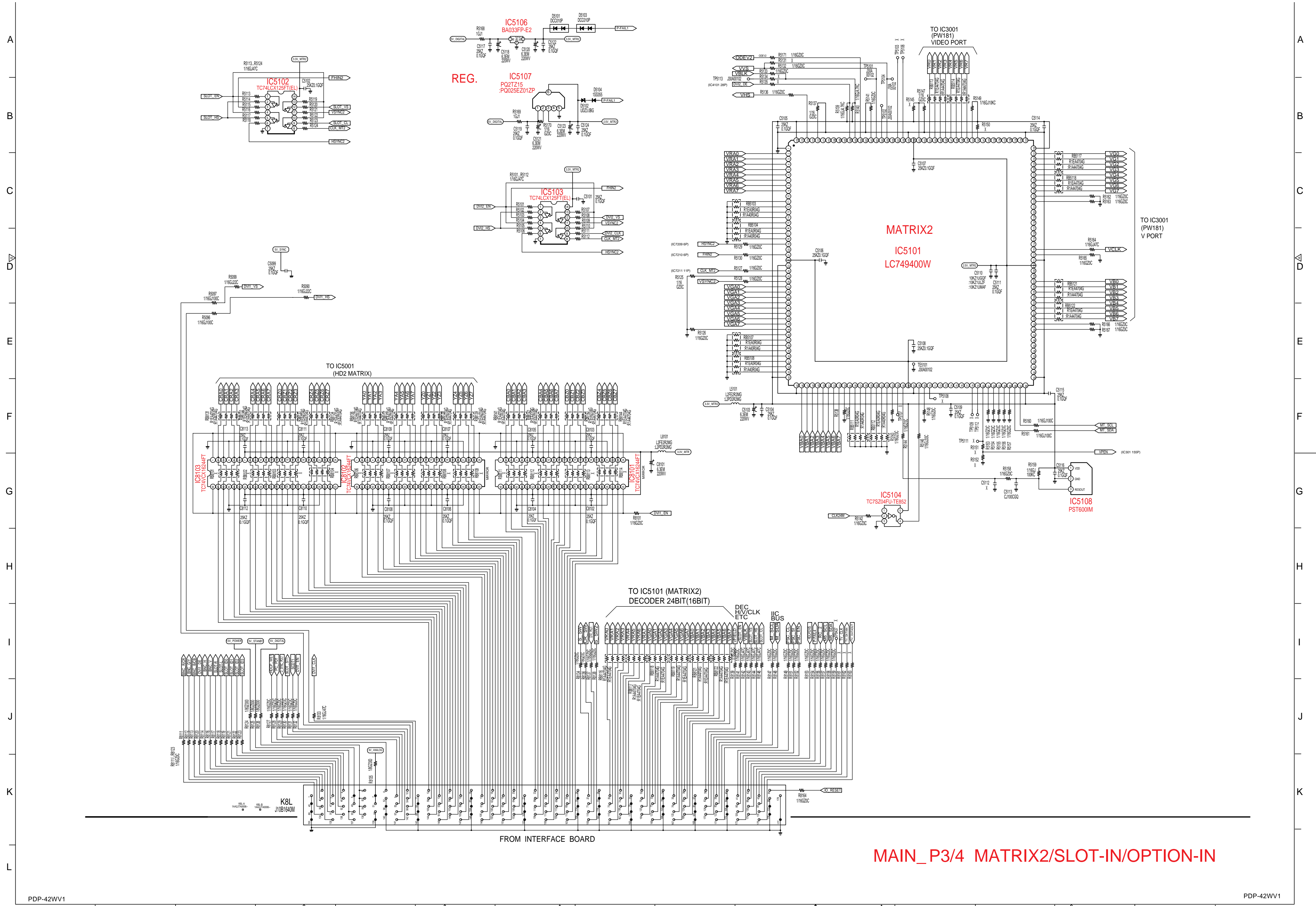
(2SC1740S TYPE)

14TH CODE	2SC1740S	2SC945A	2SC1815
AD	77200183	Q,R,S	QA,PA
AE	70700202	Q,R,S	RA,QA,PA

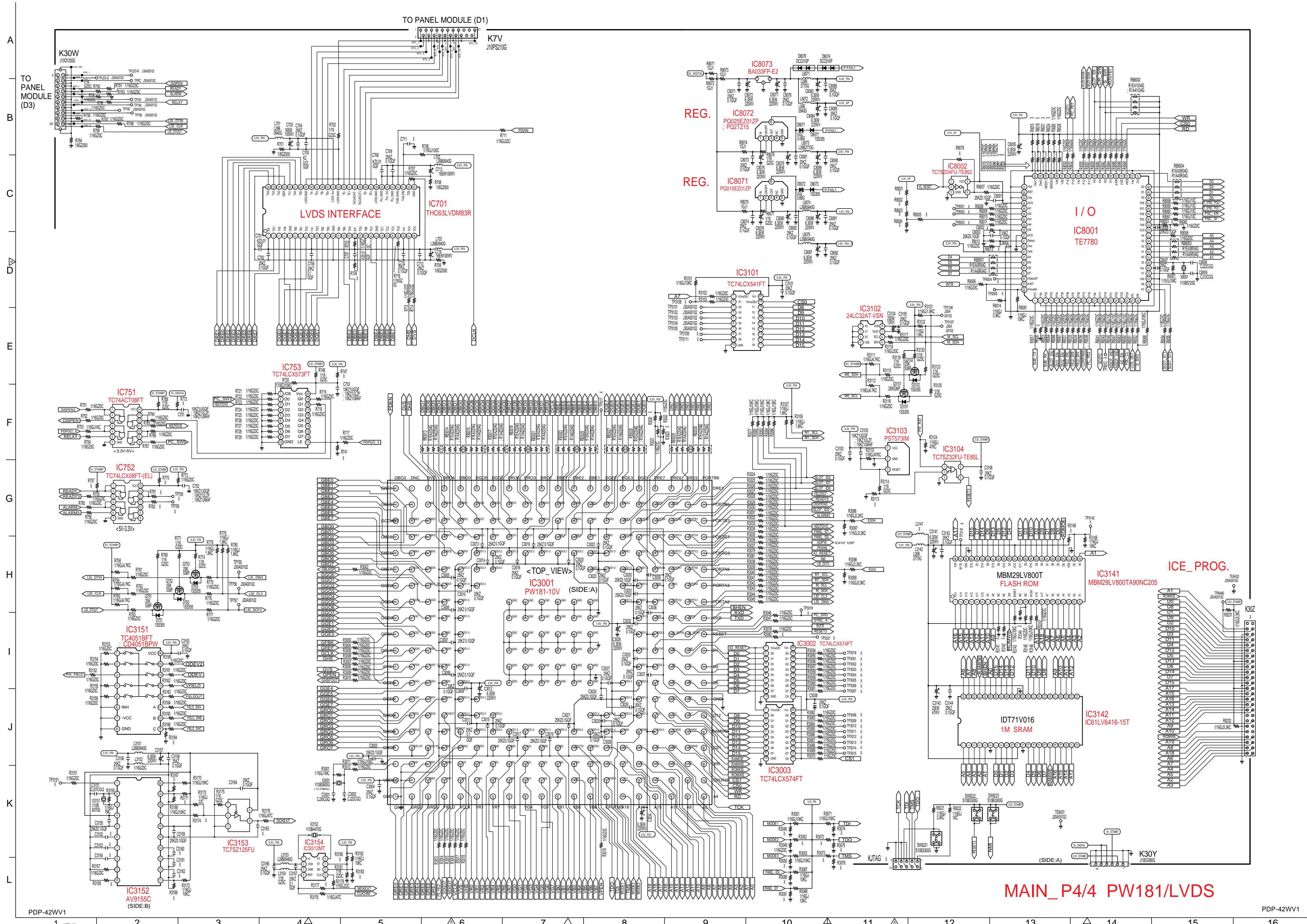
(2SC2412K CHIP TYPE)

14TH CODE	2SC2812	2SC2412K
AH	77200220	LL,L7
		R,S



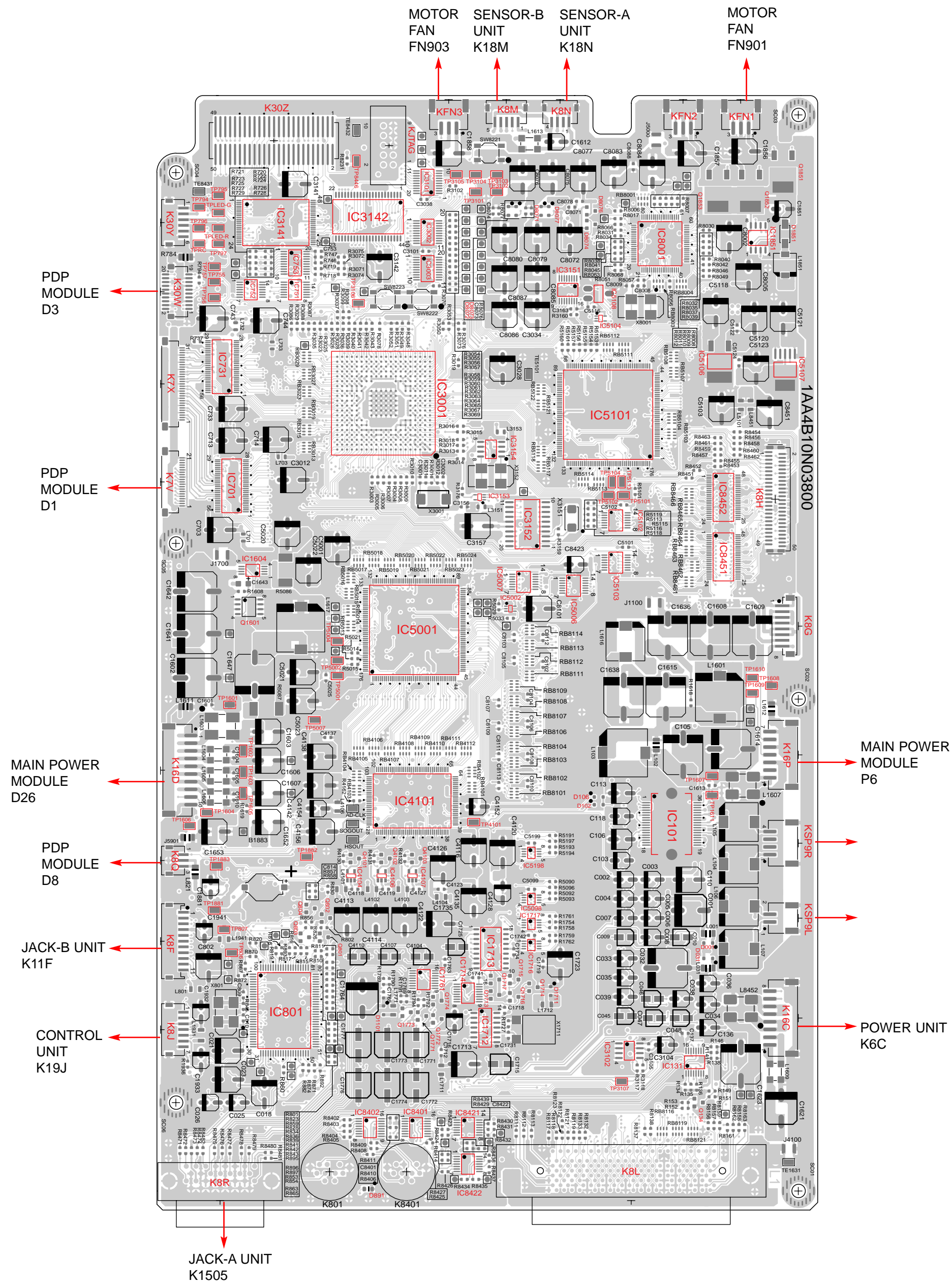


MAIN_P3/4 MATRIX2/SLOT-IN/OPTION-IN

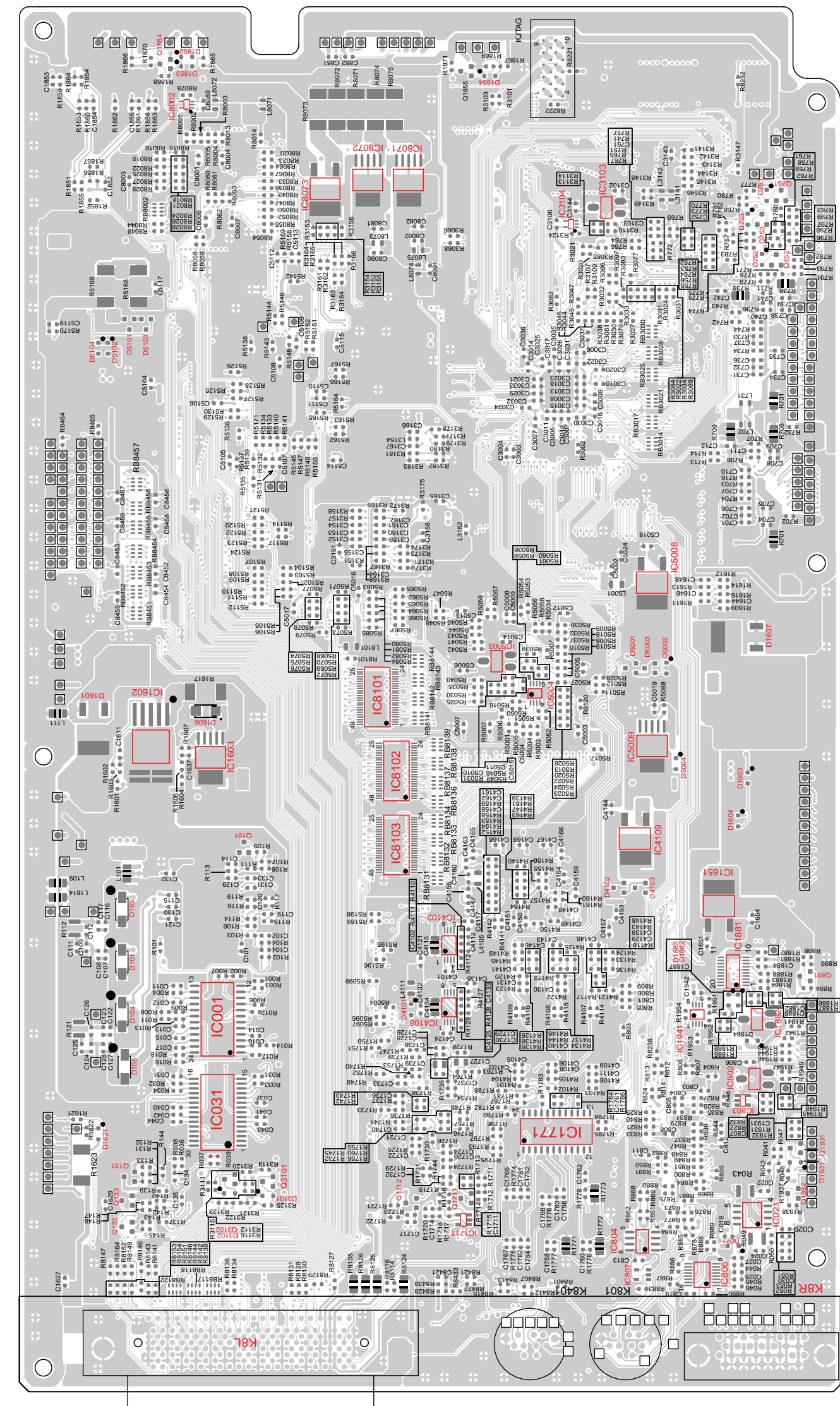


MAIN_P4/4 PW181/LVDS

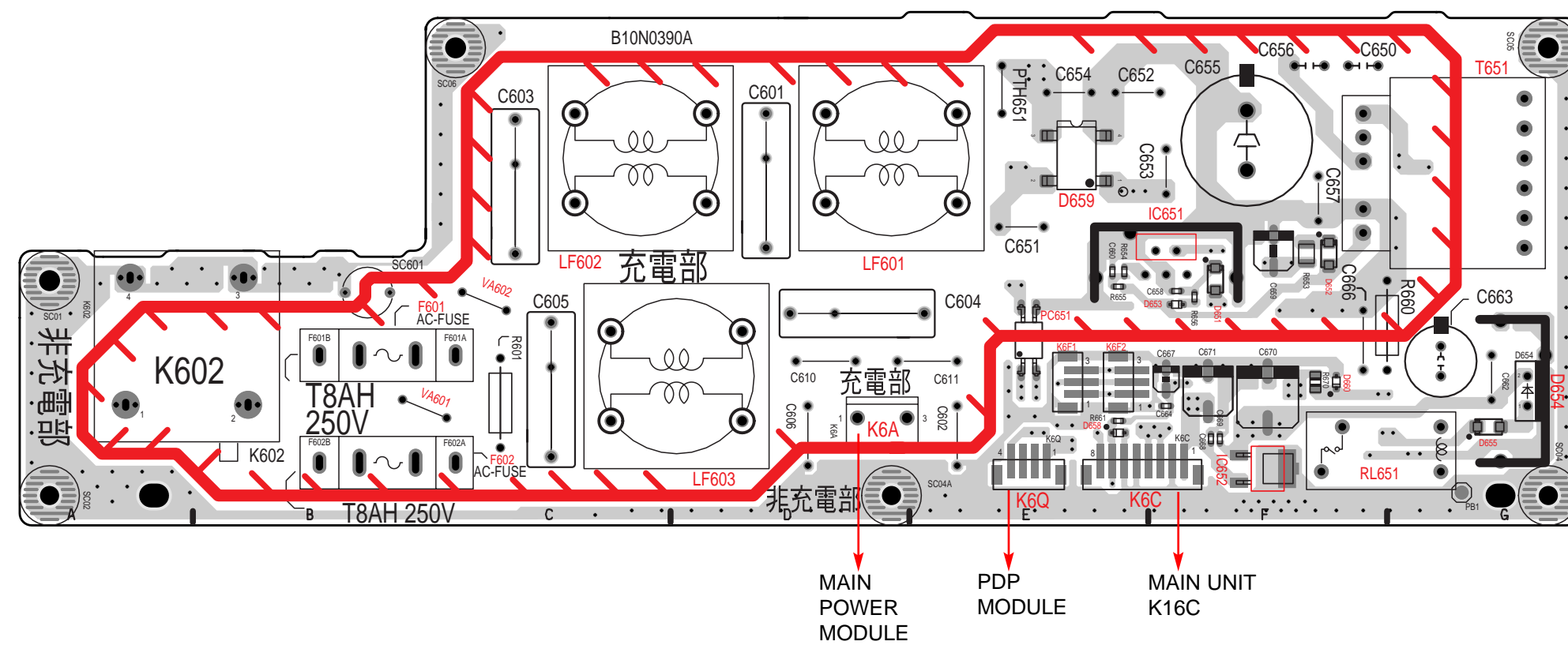
MAIN UNIT (ASSY, PWB, MAIN) [A SIDE]



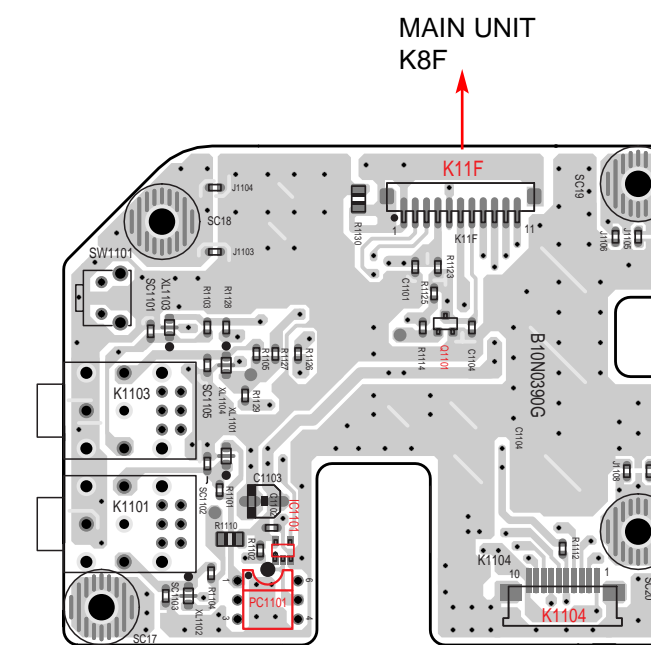
MAIN UNIT (ASSY, PWB, MAIN) [B SIDE]



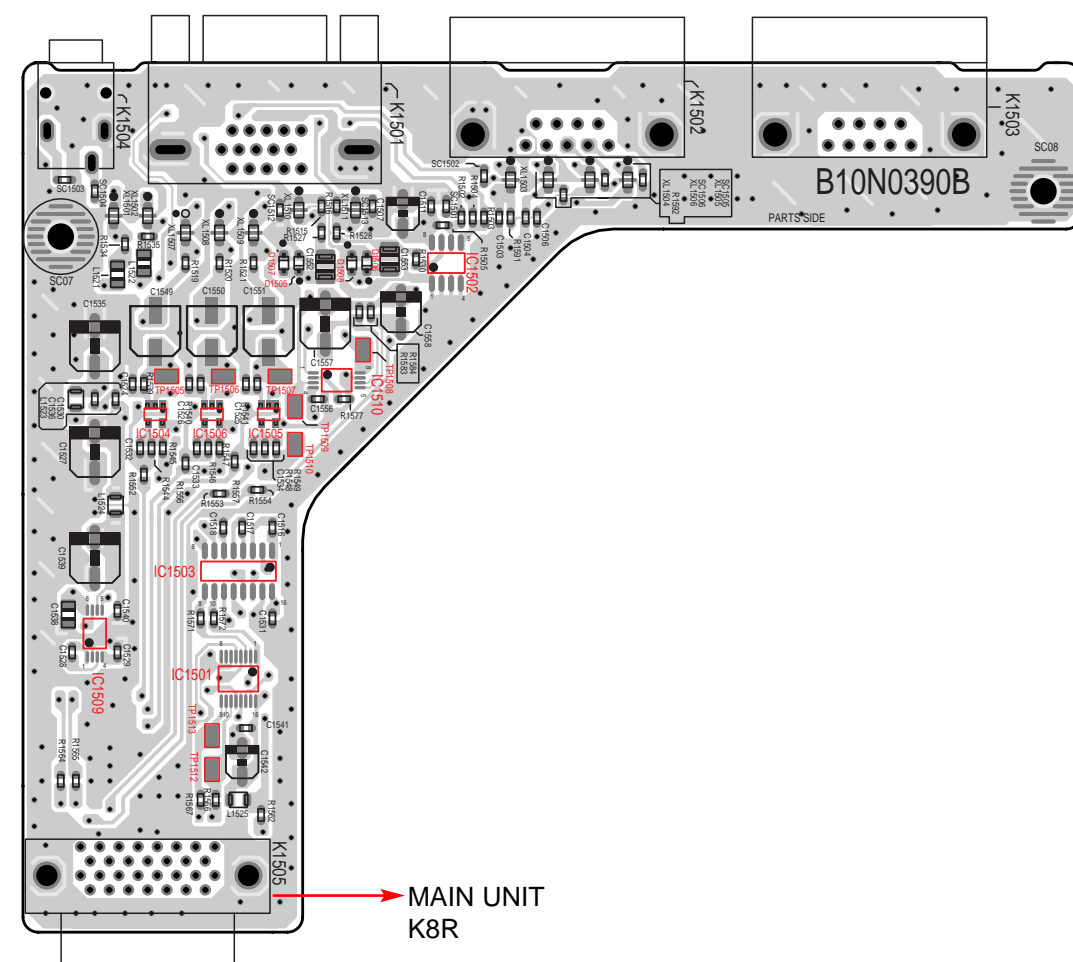
POWER UNIT (ASSY, PWB, POWER) [A SIDE]



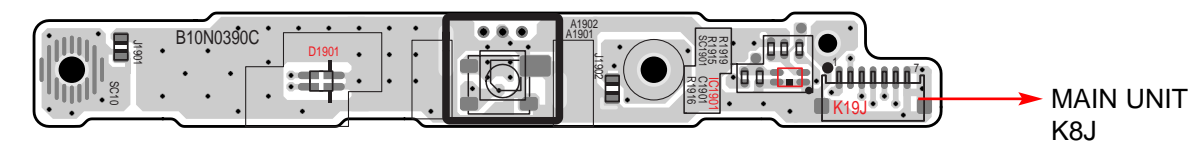
JACK-B UNIT (ASSY, PWB, JACK-B) [A SIDE]



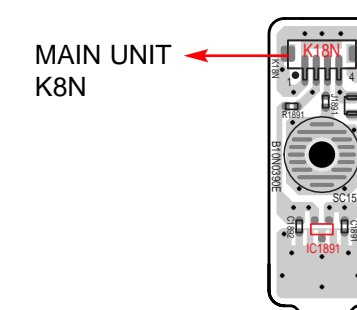
JACK-A UNIT (ASSY, PWB, JACK-A) [A SIDE]



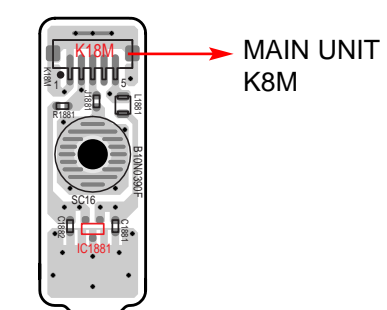
CONTROL UNIT (ASSY, PWB, CONTROL) [A SIDE]



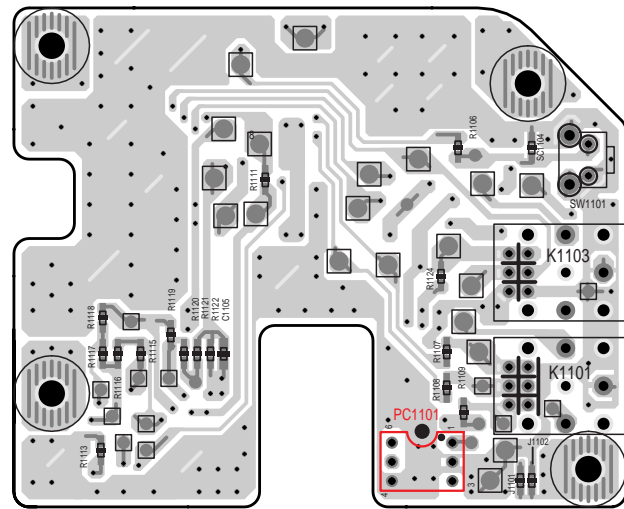
SENSOR-A UNIT (ASSY, PWB, SENSOR-A) [A SIDE]



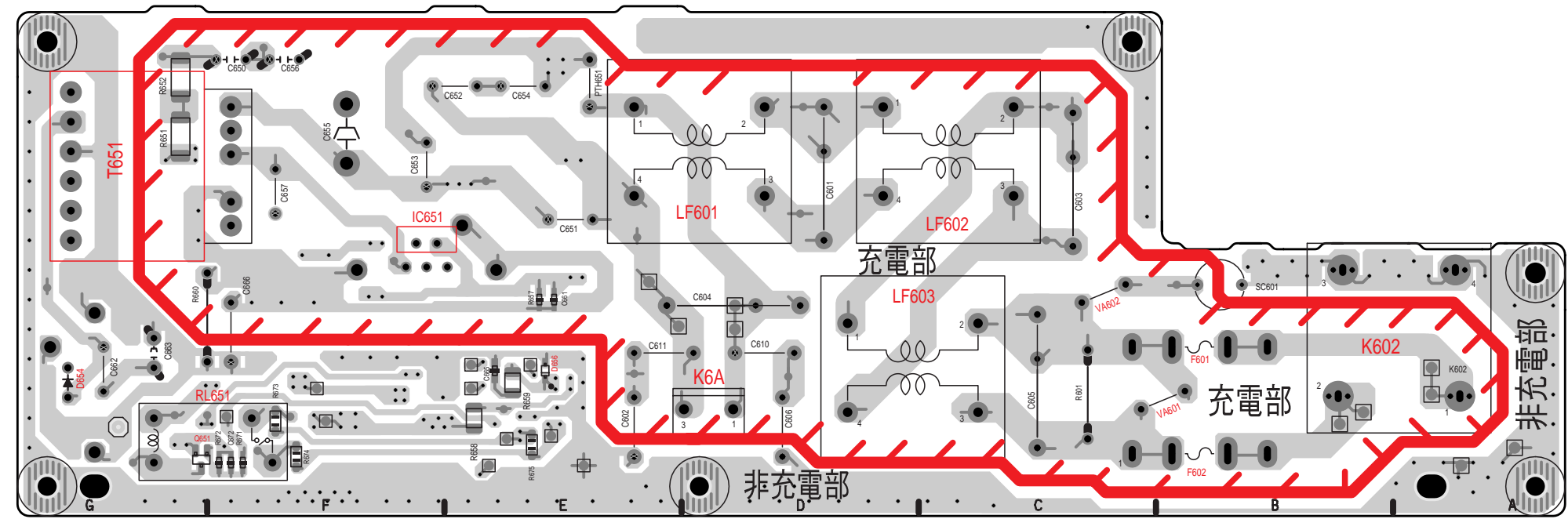
SENSOR-B UNIT (ASSY, PWB, SENSOR-B) [A SIDE]



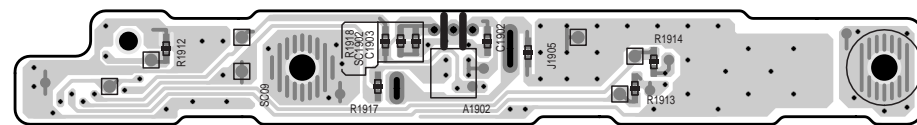
JACK-B UNIT (ASSY, PWB, JACK-B) [B SIDE]



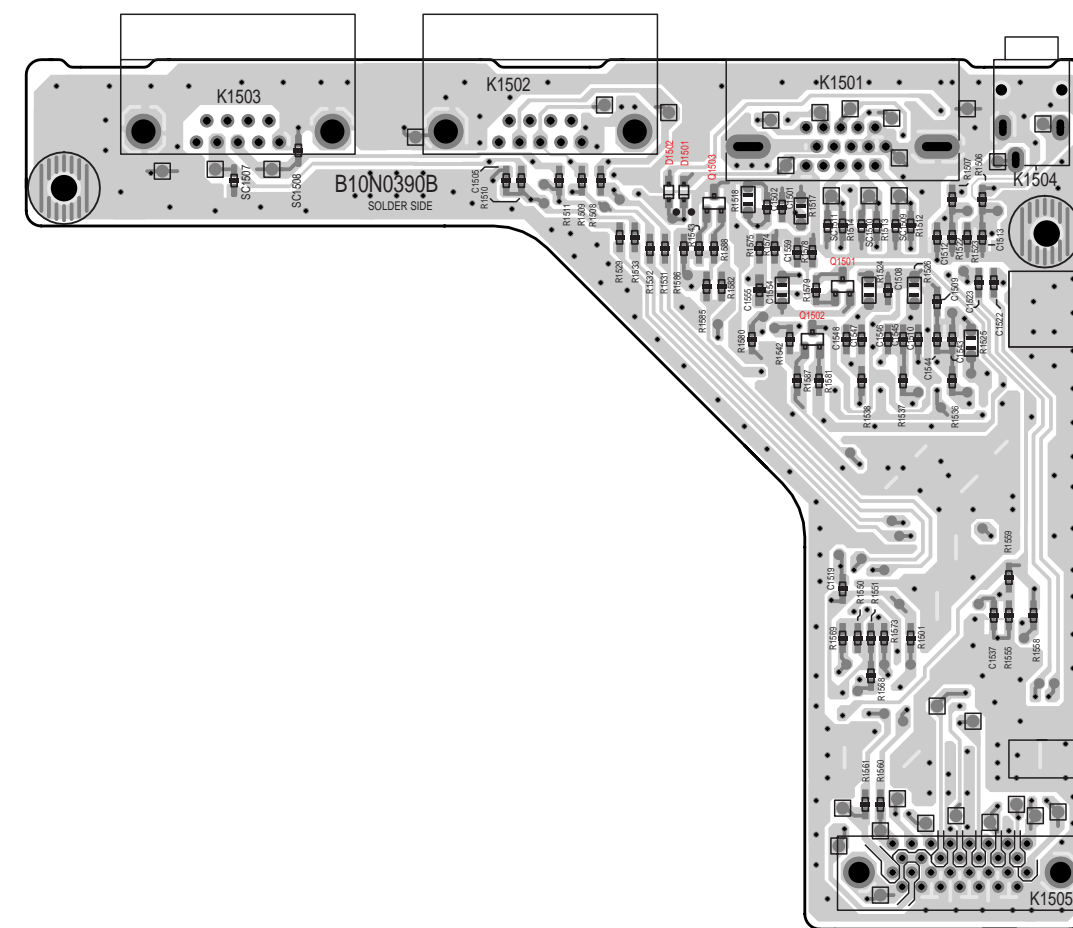
POWER UNIT (ASSY, PWB, POWER) [B SIDE]



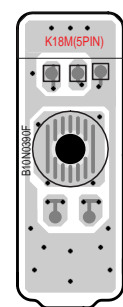
CONTROL UNIT (ASSY, PWB, CONTROL) [B SIDE]



JACK-A UNIT (ASSY, PWB, JACK-A) [B SIDE]



SENSOR-B UNIT (ASSY, PWB, SENSOR-B) [B SIDE]



SENSOR-A UNIT (ASSY, PWB, SENSOR-A) [B SIDE]

